

get up[®]: the swivelling handle system



Product catalogue: Radiology

Inhalt

- Company philosophy – made by febromed 3
- get up[®]: the swivelling handle system 4
 - Area of application 4
 - Advantages of get up[®] 5
 - get up[®] gets patients moving 6
 - Function of the handle suspension 8
- Computer tomography 10
 - Section view with decorative panel 12
- Magnetic resonance tomography 14
 - Section view for installation in an MRT examination room 18
- Diagnostic radiography 20
 - Section view with low decorative panel 22
 - Electronic position sensor 24
- Radiation therapy 26
 - Section view with high decorative panel 28
- get up[®] ceiling bridge 30
 - Section view of get up[®] ceiling bridge 31
- get up[®]-Multilift 32
- Handle suspension 34
- Available variants 36
- Example applications 38



Company philosophy – made by febromed

If there is a way to do something better, we will find it!

febromed is an experienced, specialist equipment manufacturer for the professional medical field. Founded in 1995, the company has made a name for itself as Europe's biggest supplier of equipment for delivery rooms. Based on this experience, the company now develops, produces and distributes a wide range of cleverly designed products for everyday medical use. For applications in radiology, febromed has developed swivelling handle systems for use in computer tomography (CT) and magnetic resonance tomography (MRT) scans. These products are informed by febromed's experience in obstetrics where, like in radiology, there is an elevated requirement for hygiene, cost-efficiency, improved staff utilisation and patient safety. febromed works in close coop-

eration with medical-technical radiology assistants (MTRAs) and doctors in the development of its products.

Continuous stringent quality controls and the use of carefully selected, tested materials ensures a high quality standard. febromed is certified in accordance with DIN EN ISO 9001 (Quality Management) and DIN EN ISO 13485 (Quality Management System for Medical Devices). To meet the high standards expected of us, we work with independent, widely recognised hygiene institutes, such as Hybeta in Münster, during the development of our products.



get up[®]: the swivelling handle system

Area of application

In radiology, it is important that patients are accurately and securely positioned. This is made possible by get up[®]: the swivelling handle system. Through the secure and ergonomic positioning of patients, the system also provides greater cost-efficiency as fewer examinations are disrupted and repeated. At the same time, get up[®] reduces contact between patients and staff, minimising the risk of infection on an ongoing basis.

As medical technology experts, we make day-to-day work in medical practices and clinics in the demanding field of radiology safer and easier with get up[®], a swivelling, spacing-saving handle system. It minimises the risk of falling for patients and maximises ergonomics for medical staff.

Patients can be safely prepared and accurately positioned for computer tomography (CT) and magnetic resonance tomography (MRT) examination, diagnostic radiography or radiation therapy with minimal physical strain. The system fulfils the highest standards in hygiene, as well as workmanship and durability.

It is not unusual for radiology patients to have a limited range of motion, posing a challenge for staff members. The entirely mechanical system helps patients to position themselves on the examination table with as little assistance as possible – even when transferring from a bed or wheelchair. Staff members maintain full control over the situation at all times.



Advantages of get up®

get up® supports patients, staff and the cost-efficiency of your clinic or department.

How patients benefit:

- Self-sufficient sitting up and standing
- Independent weight-bearing and positioning
- Minimised risk of falling
- Safe, secure hold

How you and your staff benefit:

- Quicker procedures
- Back-friendly patient transfers
- Reduced physical strain, even when working with heavier patients
- Reduced contact with infected patients

How your cost-efficiency is increased:

- Healthier and more motivated staff
- Less downtime due to health issues/preventable problems
- Faster and more efficient examinations
- More time for patient consultation

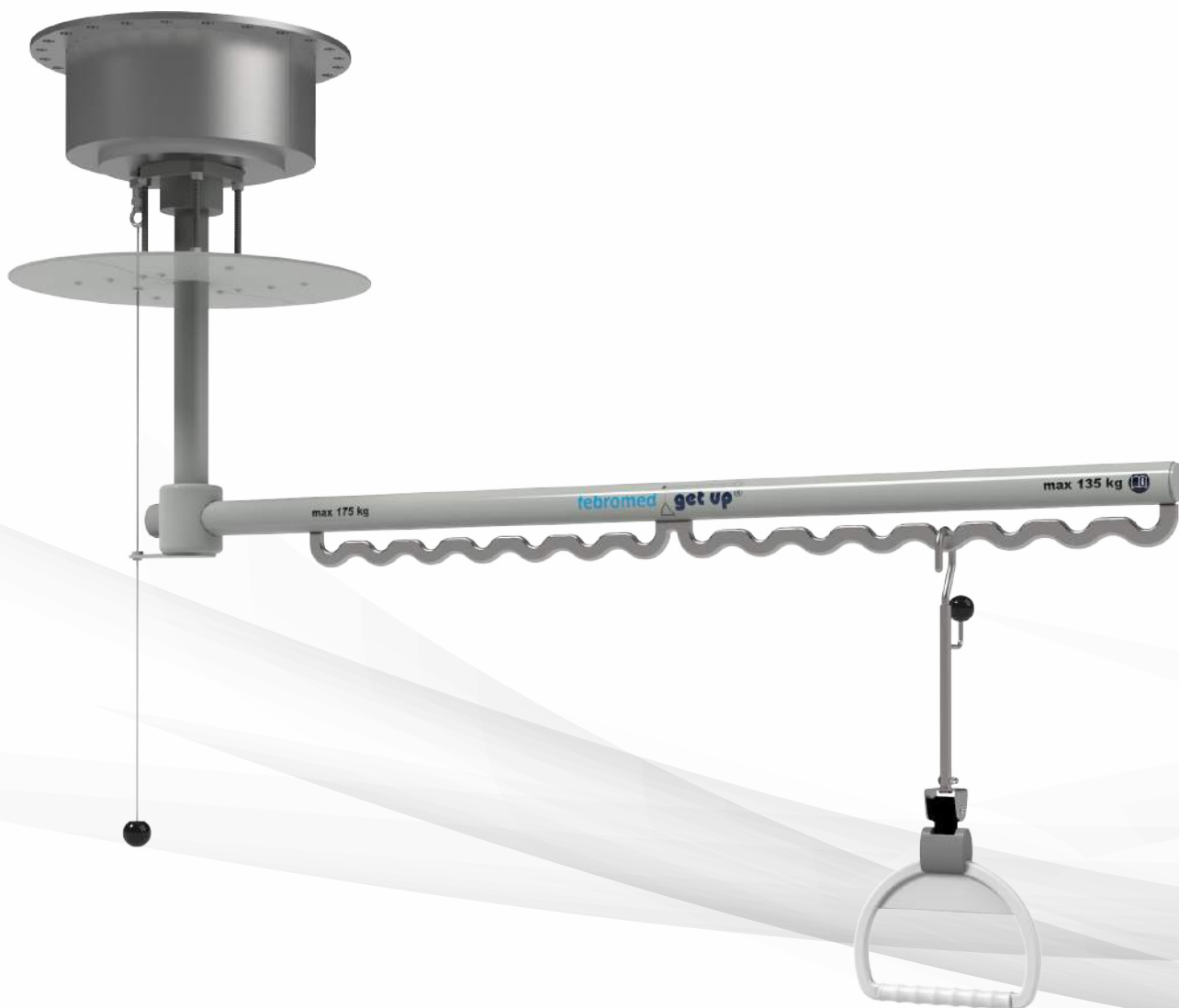


get up[®] gets patients moving

get up[®] helps patients to sit or stand up and essentially functions just like a classic bed trapeze. Unlike this traditional solution, however, the get up[®] also helps patients who arrive for examination in a bed or wheelchair. The handle system is installed on the wall or ceiling in the respective examination room, and has a large swivelling radius to adequately cover the user's workspace.

Whether it's from a wheelchair, couch or bed: get up[®] provides safety and support.

The ceiling-mounted system can support up to 175 kg near the centre, and up to 135 kg at the furthest suspension point. As a result, get up[®] covers the entire bandwidth of radiological practice. get up[®] can be safely positioned over patients to facilitate sitting up and standing with its simple, convenient and user-friendly system.





Patients can unlock the get up[®] with a gentle pull on the cord and swivel it to the desired position. When the cord is released, the get up[®] is locked in a secure position. Thanks to its flexibility, the handle system can reach almost any point within its swivel radius. The handle suspension can be effortlessly inserted and adjusted. Patients and staff can use the system with minimal effort and maximum safety.



Function of the handle suspension

01

A special notched rail system allows staff to adjust the handle suspension to any desired position. This way, the ideal handle position can be determined together with the patient, and securely fixed in place.

02

It is impossible for the suspension to become dislodged during patient use.

03

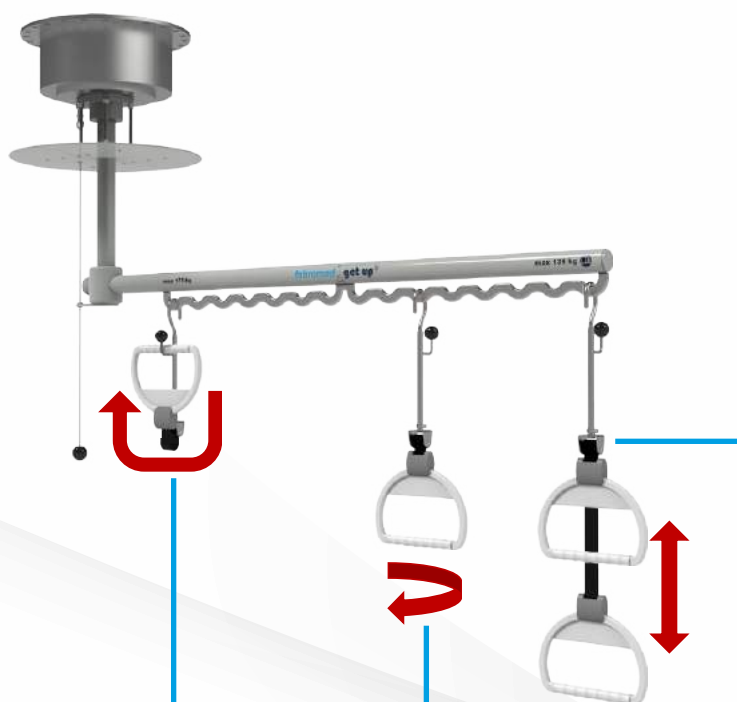
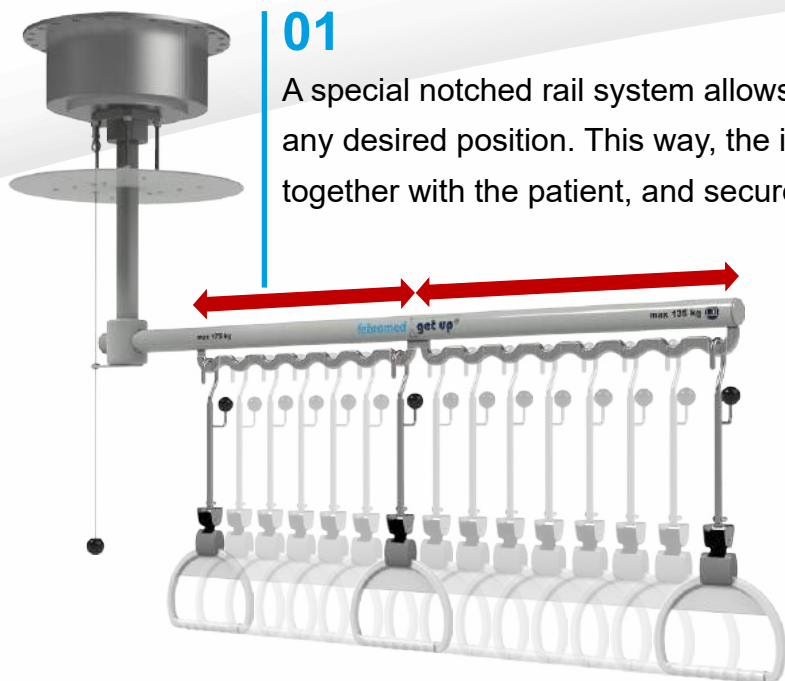
The handle has an adjustment range of approx. 260 mm. It is continuously adjustable and can be adjusted to the ideal height.

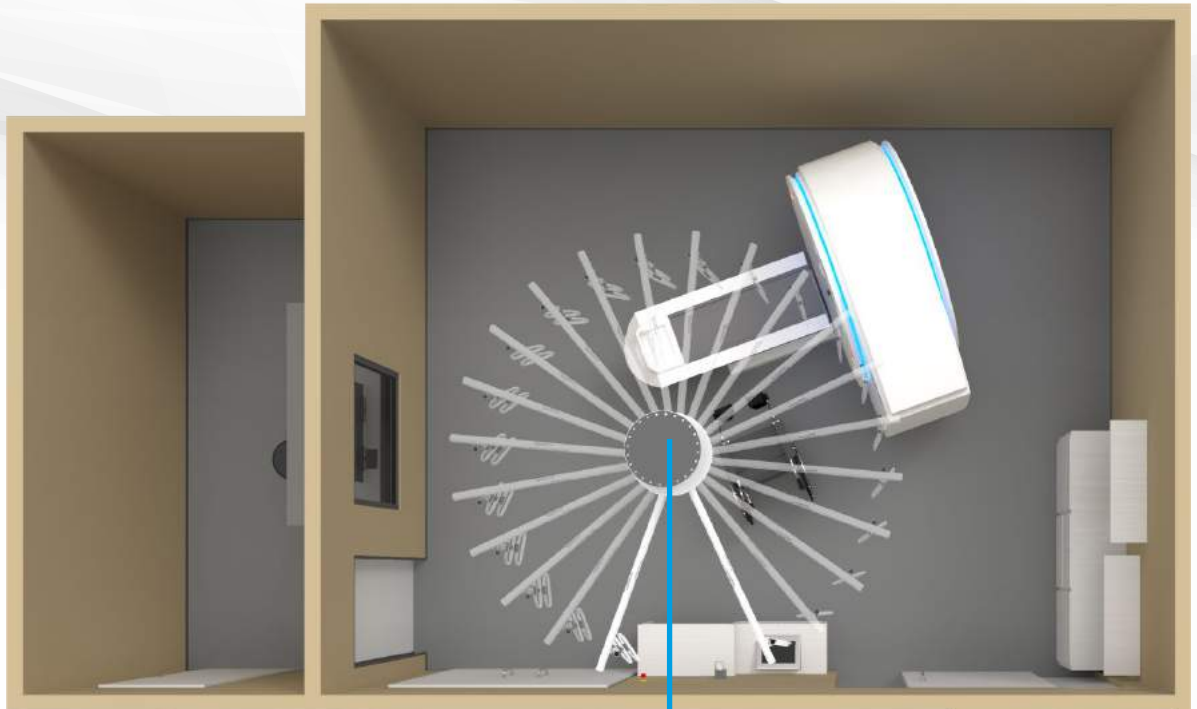
04

The free 360° locking mechanism ergonomically adapts to every patient.

05

When the handle is not needed, it can simply be hung up.

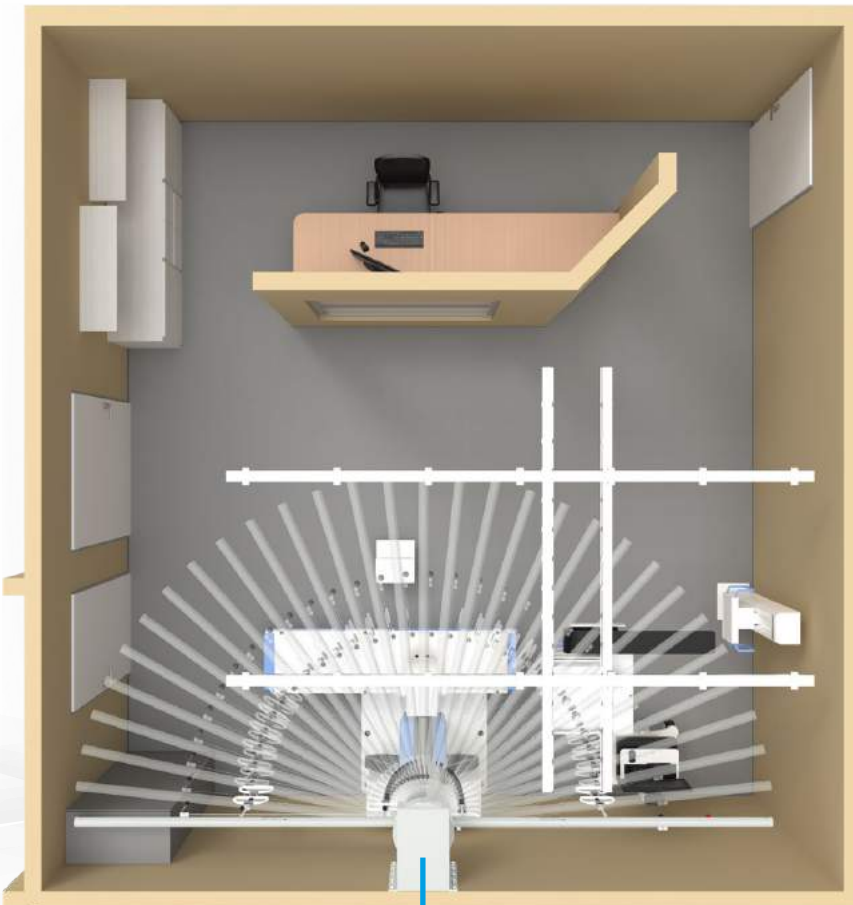




01

On the ceiling version, the 1700 mm swivelling arm rotates by 360° and can be locked every 15°.

If the get up® is mounted on the wall, the arm rotates by 180° and can be locked every 6°. On the wall or ceiling version with a 2600 mm swivelling arm, locking is possible every 6°.

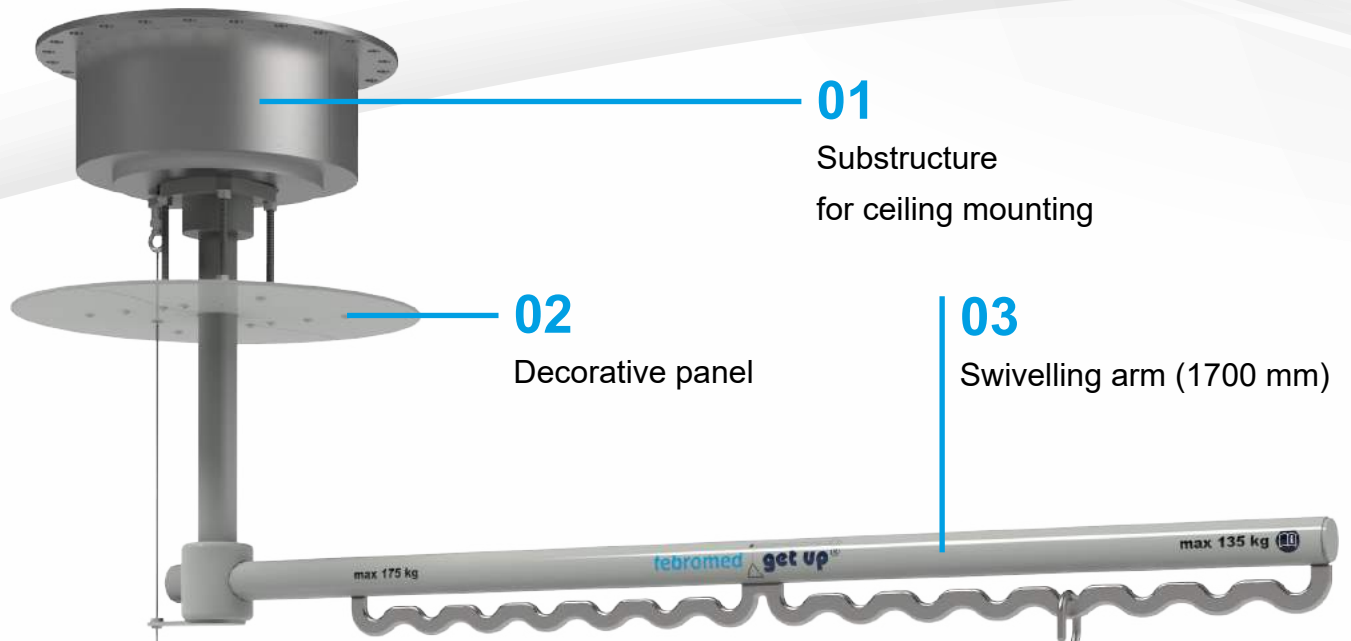


02

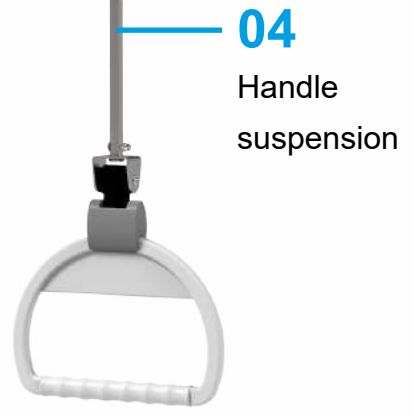
get up® 2600 mm wall version is lockable every 6°.

Computer tomography

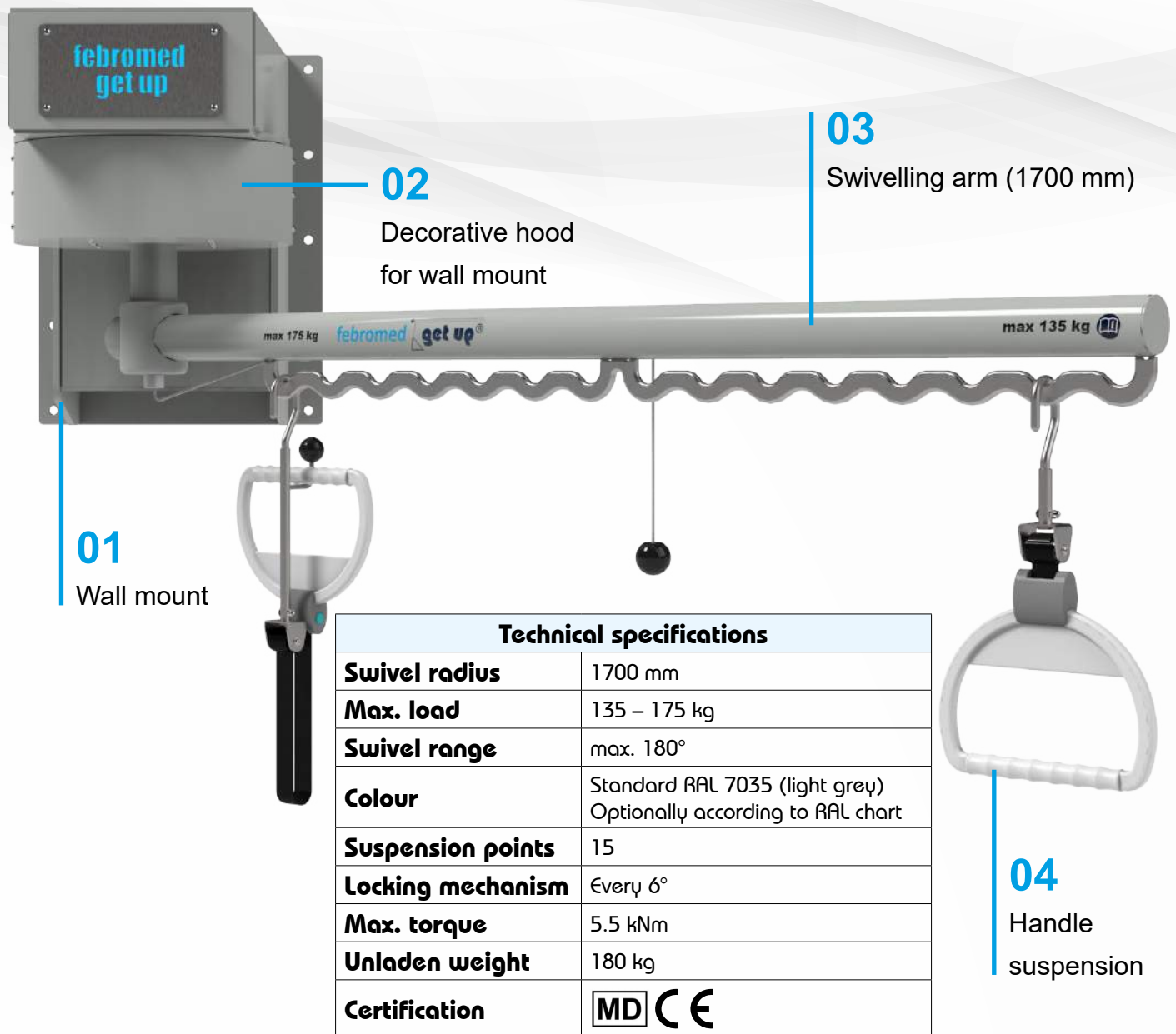
Ceiling version – get up® 1700



Technical specifications	
Swivel radius	1700 mm
Max. load	135 – 175 kg
Swivel range	max. 360°
Colour	Standard RAL 7035 (light grey) Optionally according to RAL chart
Suspension points	15
Locking mechanism	Every 15°
Max. torque	5.5 kNm
Unladen weight	105 kg
Certification	MD CE



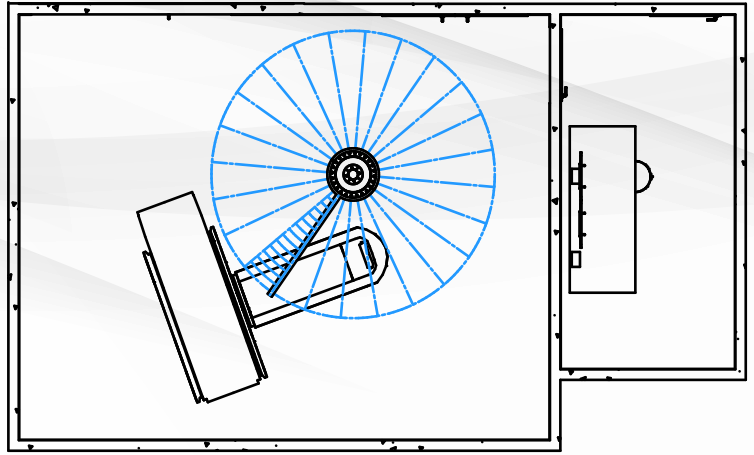
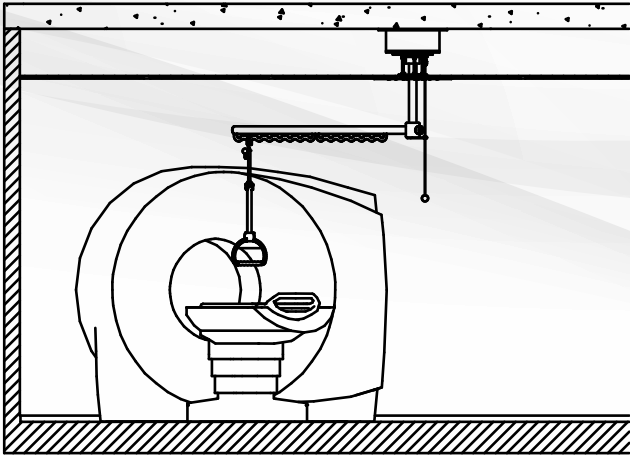
Wall version – get up® 1700



Section view with decorative panel



Isometric perspective



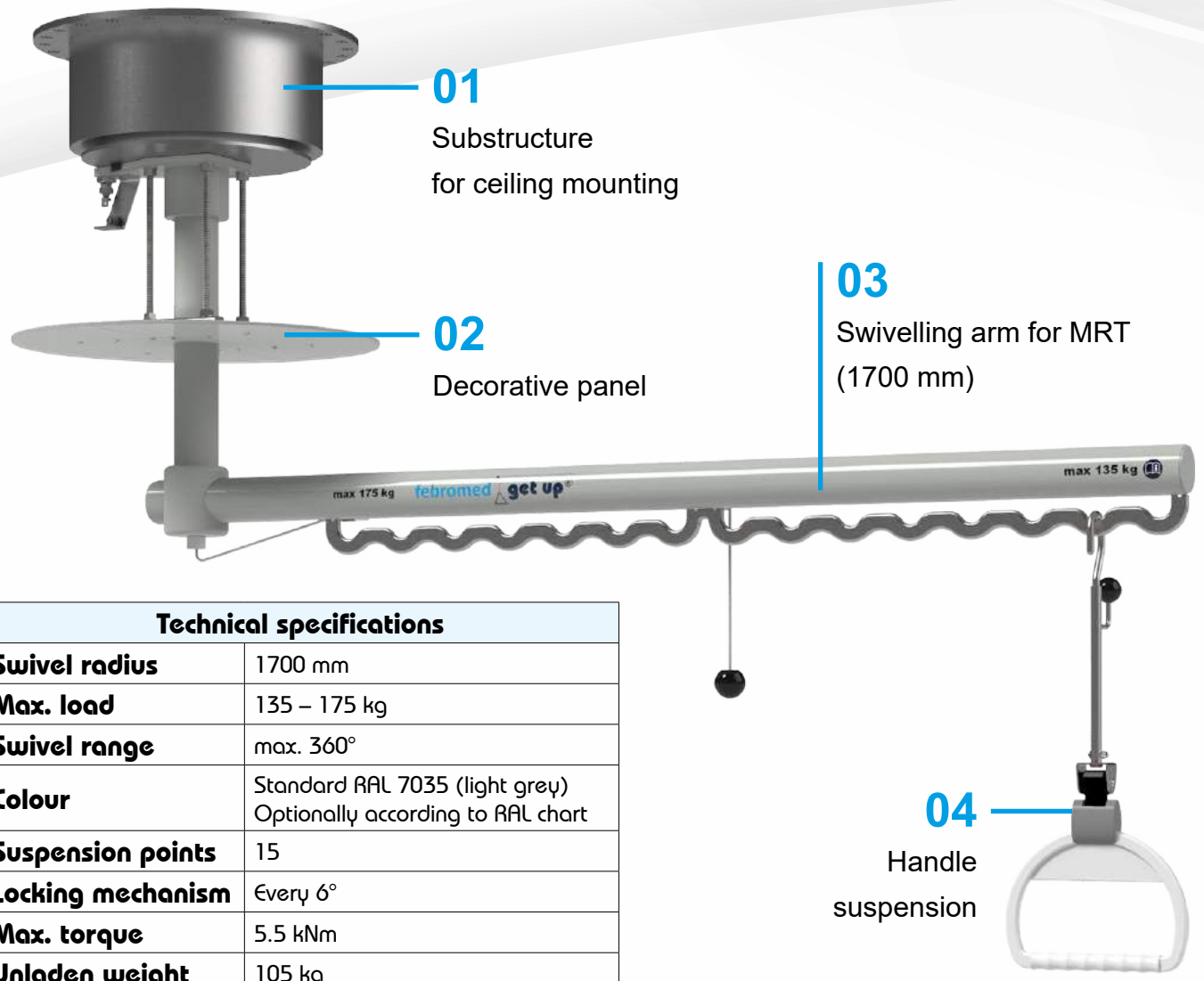
get up[®], the swivelling handle system, can be effortlessly integrated in new builds or retrofitted in existing structures. It is securely mounted on the bare ceiling, while the adjustable decorative panel conceals the cut-out in the suspended ceiling.

The system adapts flexibly to the respective room. A variable swivel limit can limit the swivel range to prevent collisions with walls or instruments.



Magnetic resonance tomography

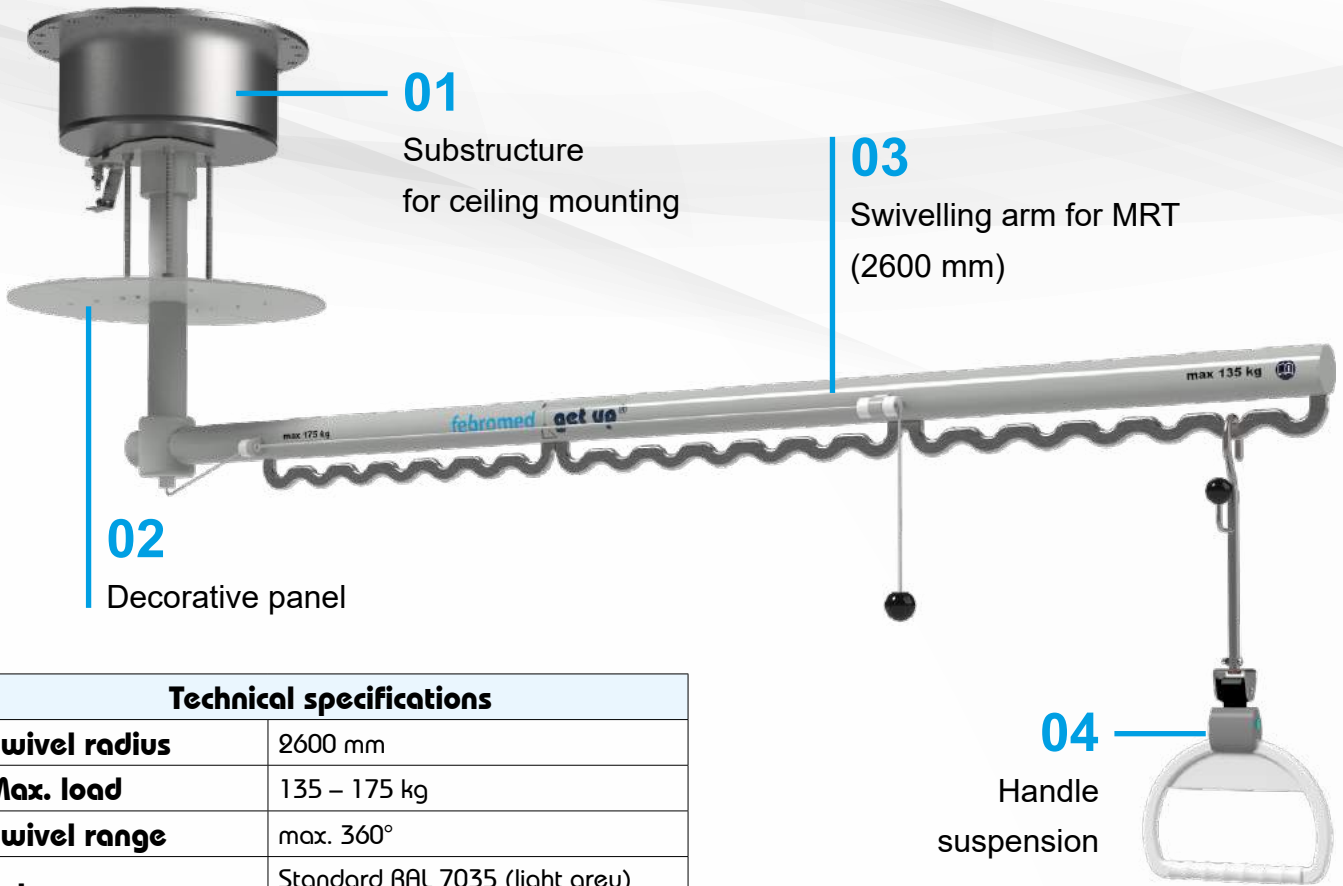
Ceiling version – get up® MRT 1700



Technical specifications	
Swivel radius	1700 mm
Max. load	135 – 175 kg
Swivel range	max. 360°
Colour	Standard RAL 7035 (light grey) Optionally according to RAL chart
Suspension points	15
Locking mechanism	Every 6°
Max. torque	5.5 kNm
Unladen weight	105 kg
Certification	MD CE MR



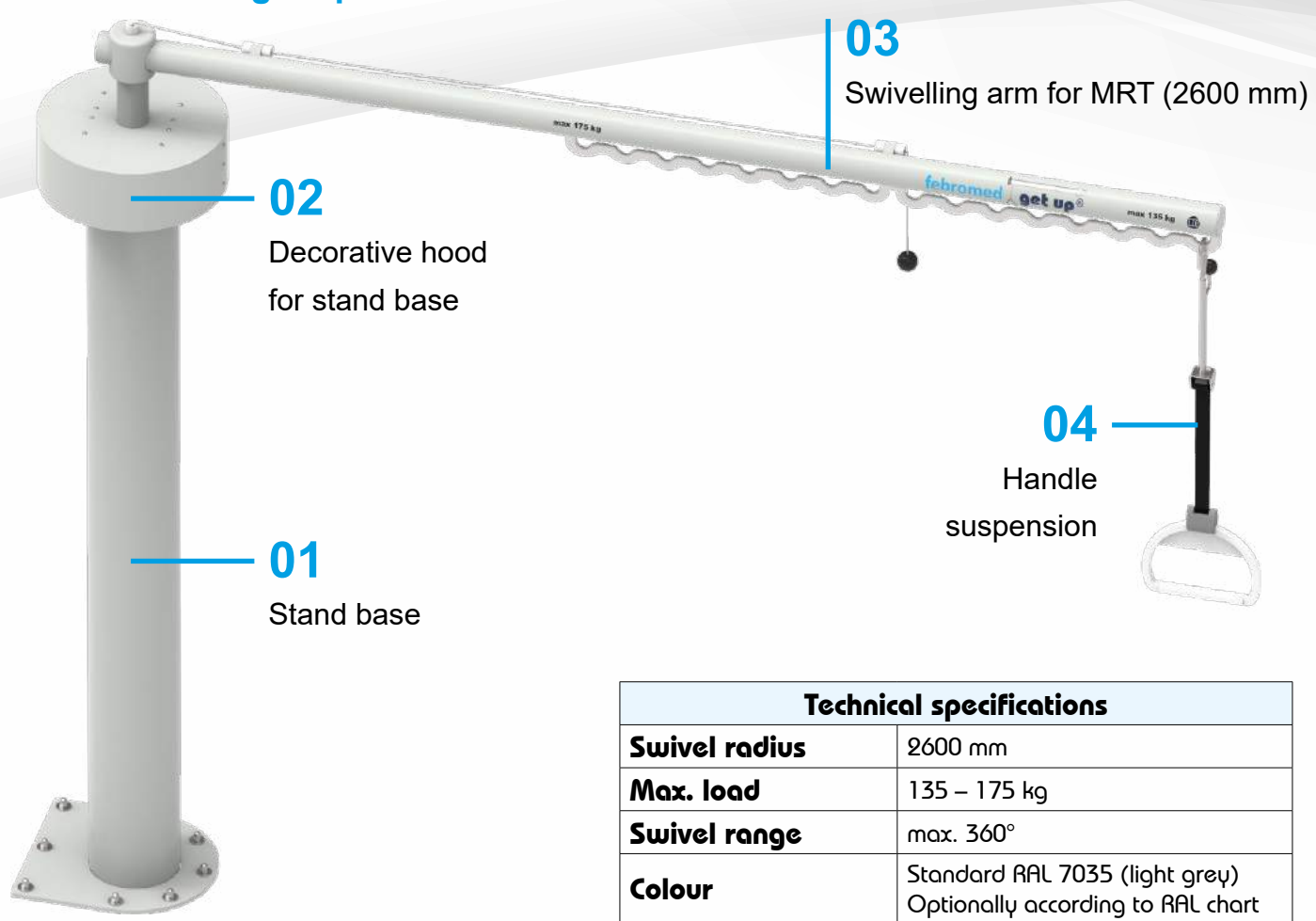
Ceiling version – get up® MRT 2600



Technical specifications	
Swivel radius	2600 mm
Max. load	135 – 175 kg
Swivel range	max. 360°
Colour	Standard RAL 7035 (light grey) Optionally according to RAL chart
Suspension points	24
Locking mechanism	Every 6°
Max. torque	7.0 kNm
Unladen weight	120 kg
Certification	MD CE MR



Stand version – get up® MRT 2600



02
Decorative hood
for stand base

01
Stand base

03
Swivelling arm for MRT (2600 mm)

04
Handle
suspension

Technical specifications	
Swivel radius	2600 mm
Max. load	135 – 175 kg
Swivel range	max. 360°
Colour	Standard RAL 7035 (light grey) Optionally according to RAL chart
Suspension points	16
Locking mechanism	Every 6°
Max. torque	7.0 kNm
Unladen weight	180 kg
Certification	MD CE MR



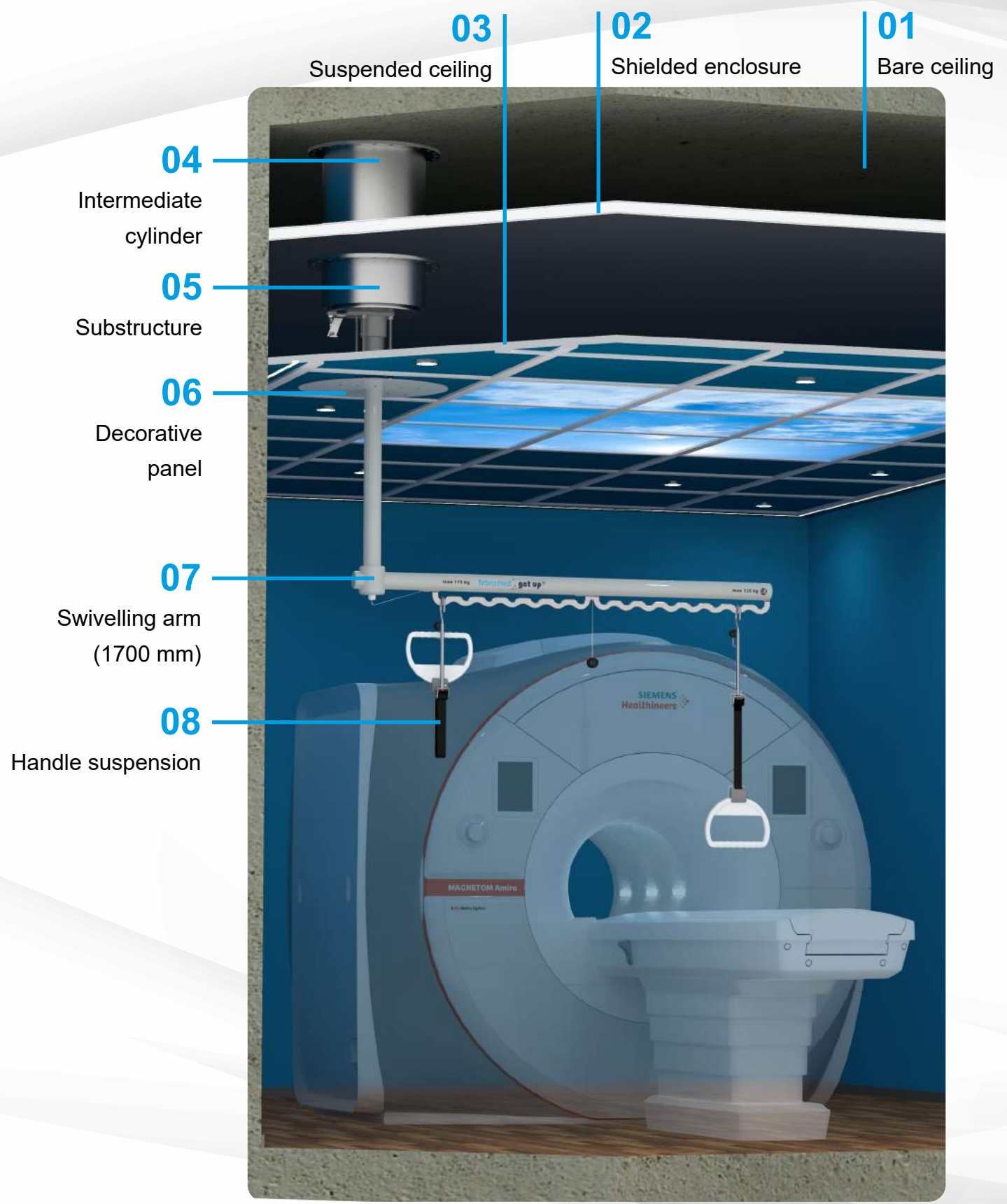
get up® MRT – Installation in an anteroom/transfer room



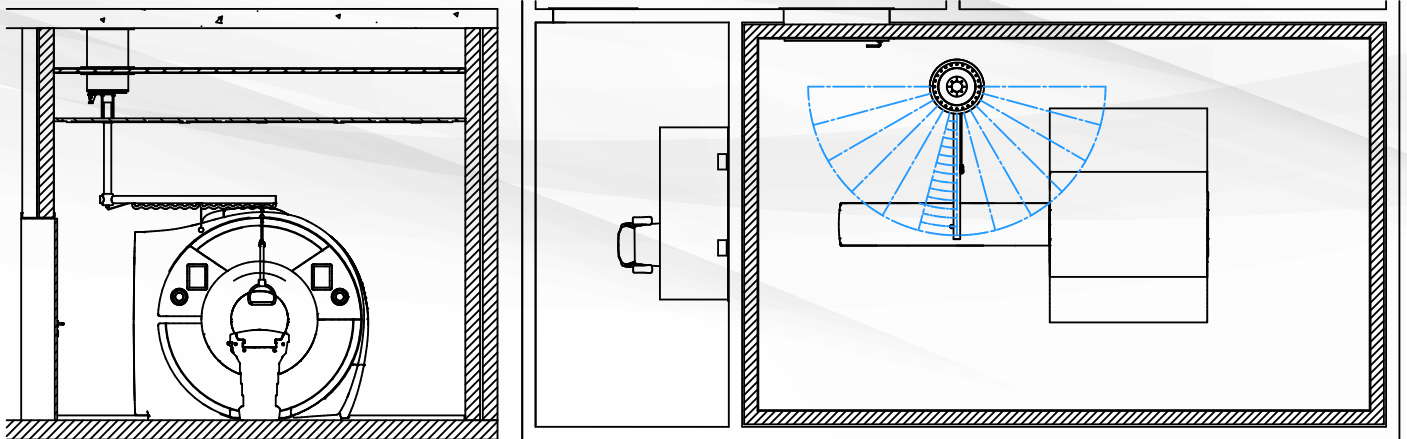
Often it is the case that patient needs to be transferred to the MRT table before entering the examination room. In this case, the get up® can be installed in the respective anteroom or transfer room.



Section view for installation in an MRT examination room

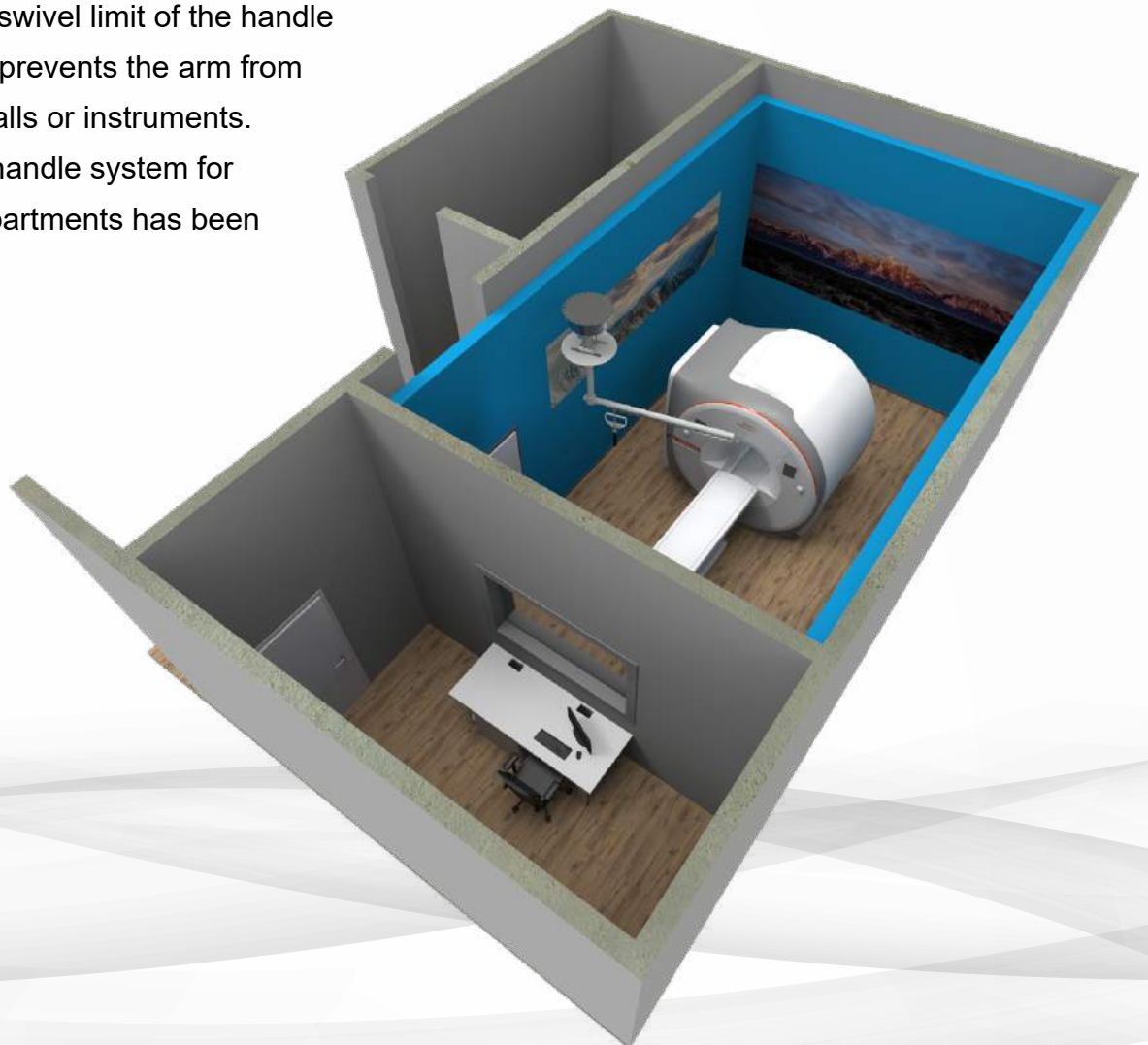


Isometric perspective



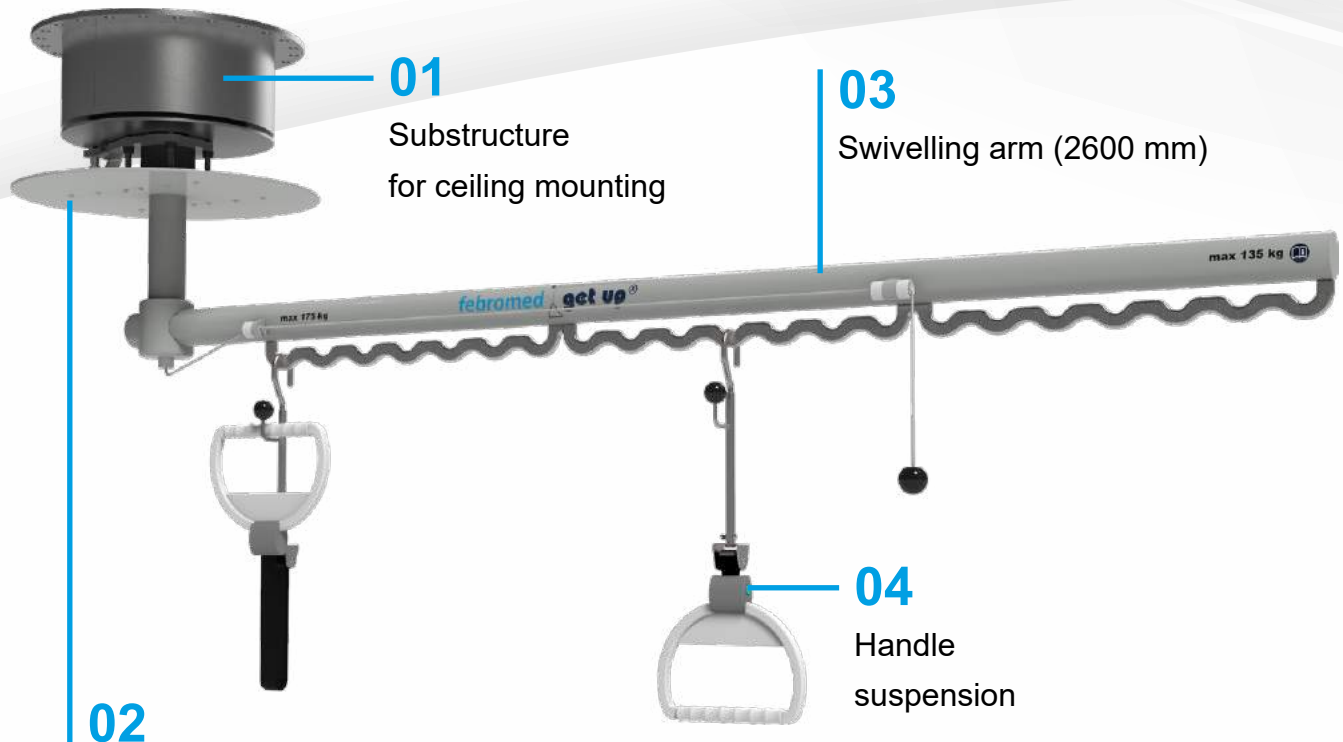
get up[®], the swivelling handle system, is installed inside the MRT enclosure. febromed works closely with the manufacturers of MRT enclosures to ensure optimal shielding and maximum safety of patients and staff. The adjustable swivel limit of the handle system reliably prevents the arm from colliding with walls or instruments. The swivelling handle system for use in MRT departments has been

tested in collaboration with reputable MRT manufacturers and is approved for all devices with up to 3 teslas.



Diagnostic radiography

Ceiling version – get up® 2600



02
Decorative panel

01
Substructure
for ceiling mounting

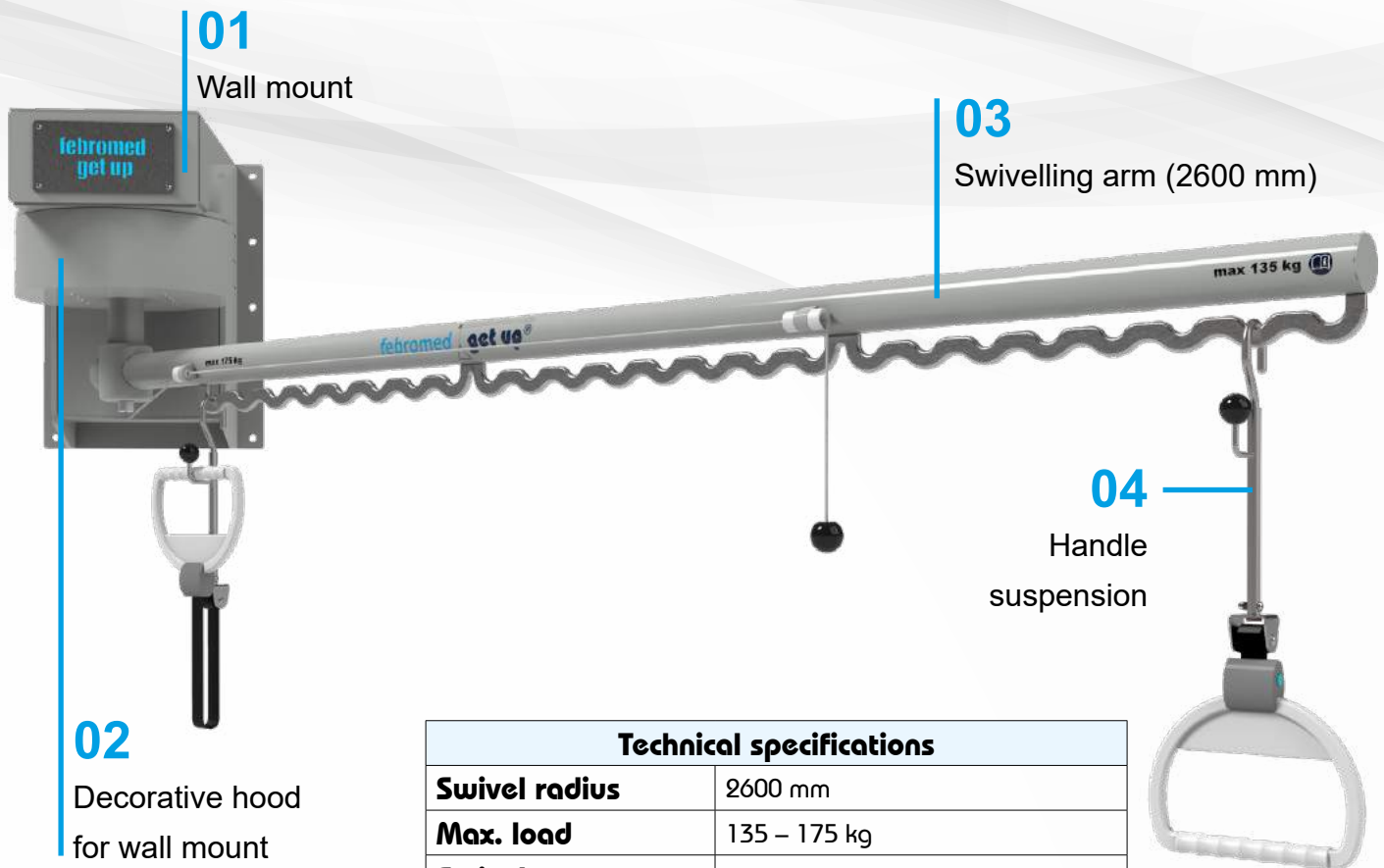
03
Swivelling arm (2600 mm)

04
Handle
suspension

Technical specifications	
Swivel radius	2600 mm
Max. load	135 – 175 kg
Swivel range	max. 360°
Colour	Standard RAL 7035 (light grey) Optionally according to RAL chart
Suspension points	24
Locking mechanism	Every 6°
Max. torque	7.0 kNm
Unladen weight	120 kg
Certification	MD CE

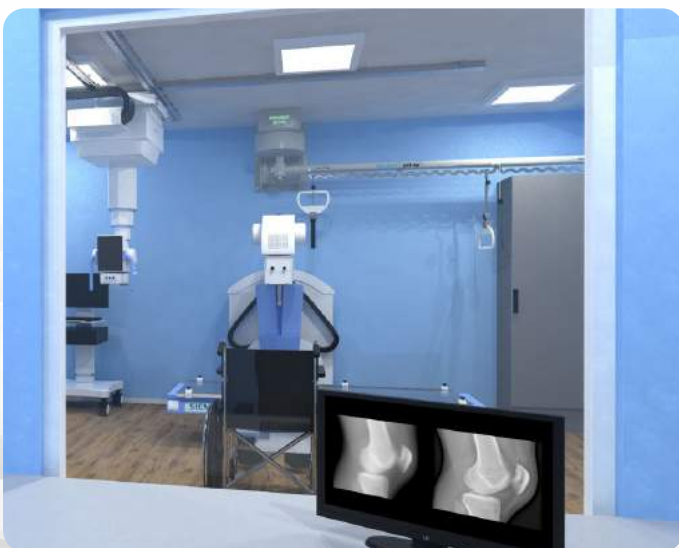


Wall version – get up® 2600

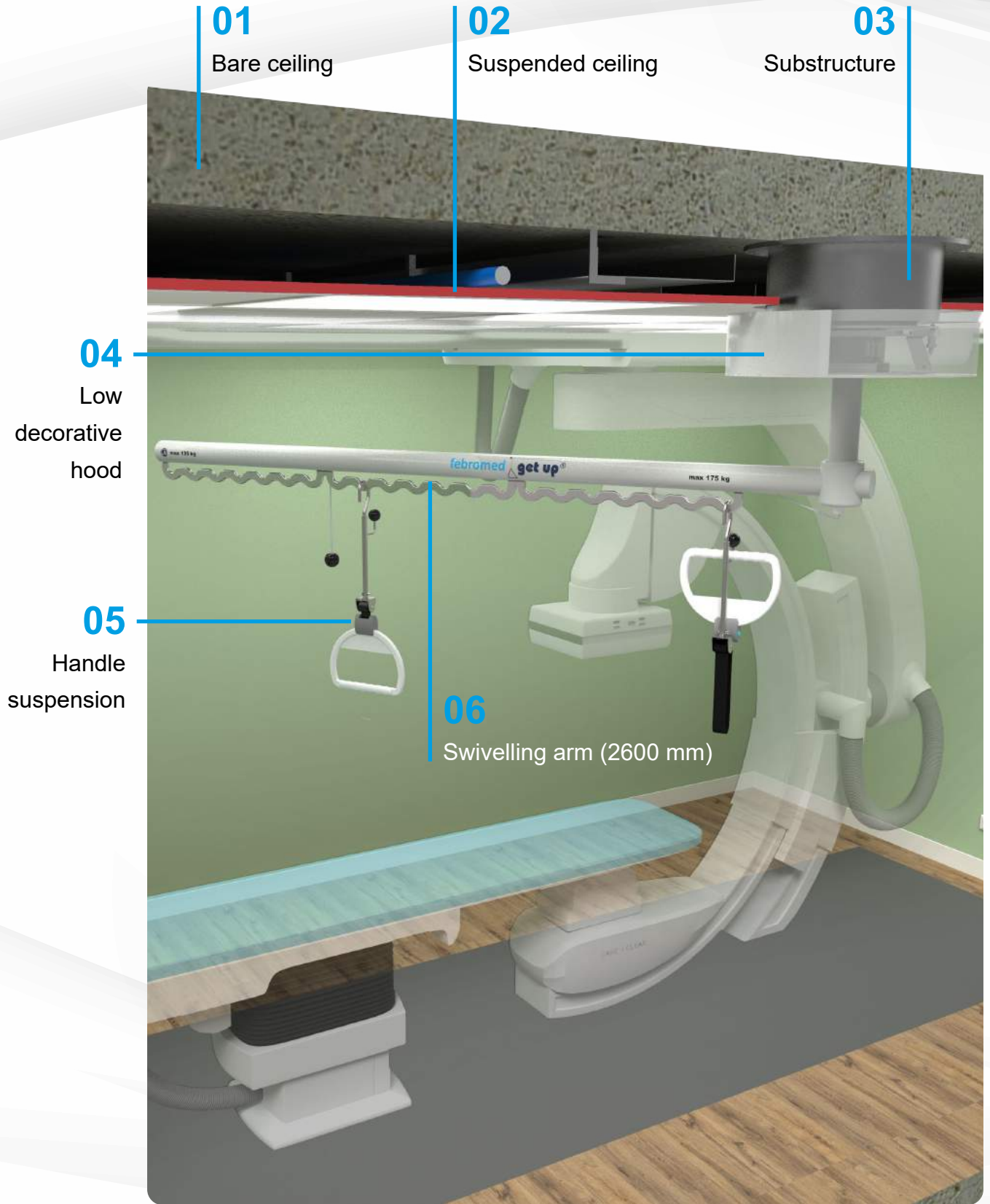


Technical specifications

Swivel radius	2600 mm
Max. load	135 – 175 kg
Swivel range	max. 180°
Colour	Standard RAL 7035 (light grey) Optionally according to RAL chart
Suspension points	24
Locking mechanism	Every 6°
Max. torque	7.0 kg
Unladen weight	200 kg
Certification	MD CE

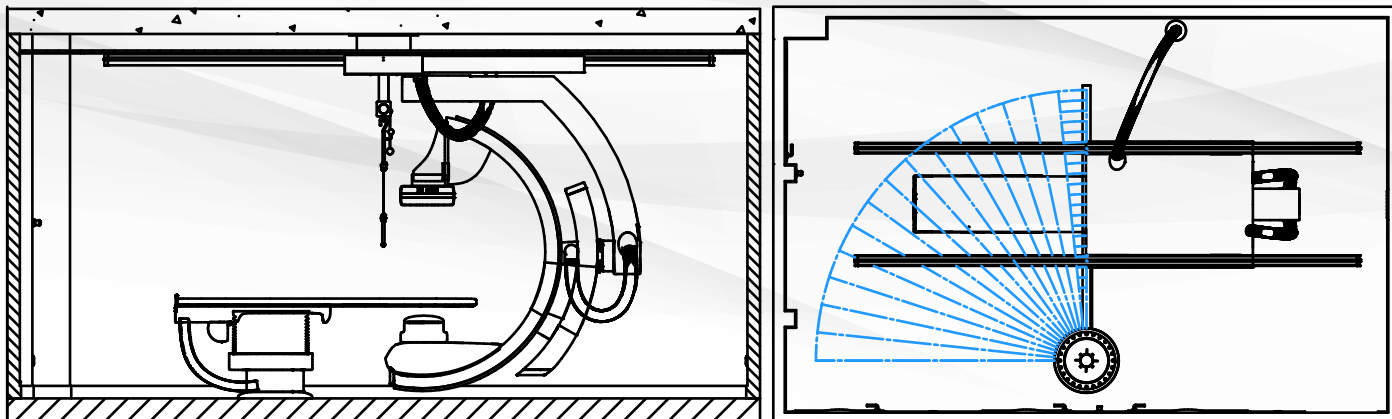


Section view with low decorative panel



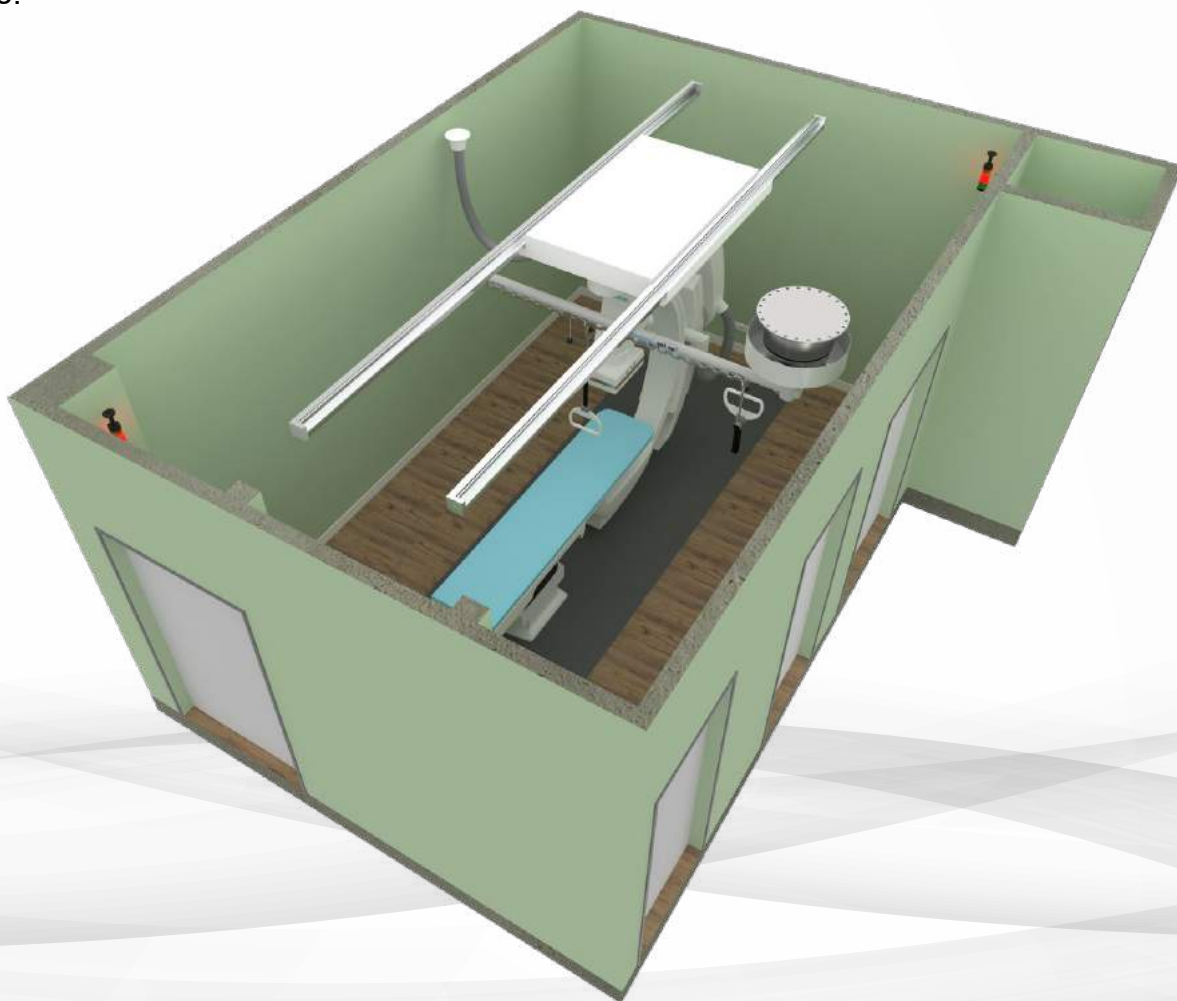
The low decorative panel is not only suitable for use in radiography, but in all radiological applications.

Isometric perspective



The get up[®] can be of advantage, even in rooms with low ceilings. If the distance between the bare ceiling and suspended ceiling is short, the mount may be visible in the room. This can be remedied by a low decorative hood, which is designed specially for this purpose.

The adjustable swivel limit of the handle system reliably prevents the arm from colliding with walls or instruments.



Electronic position sensor

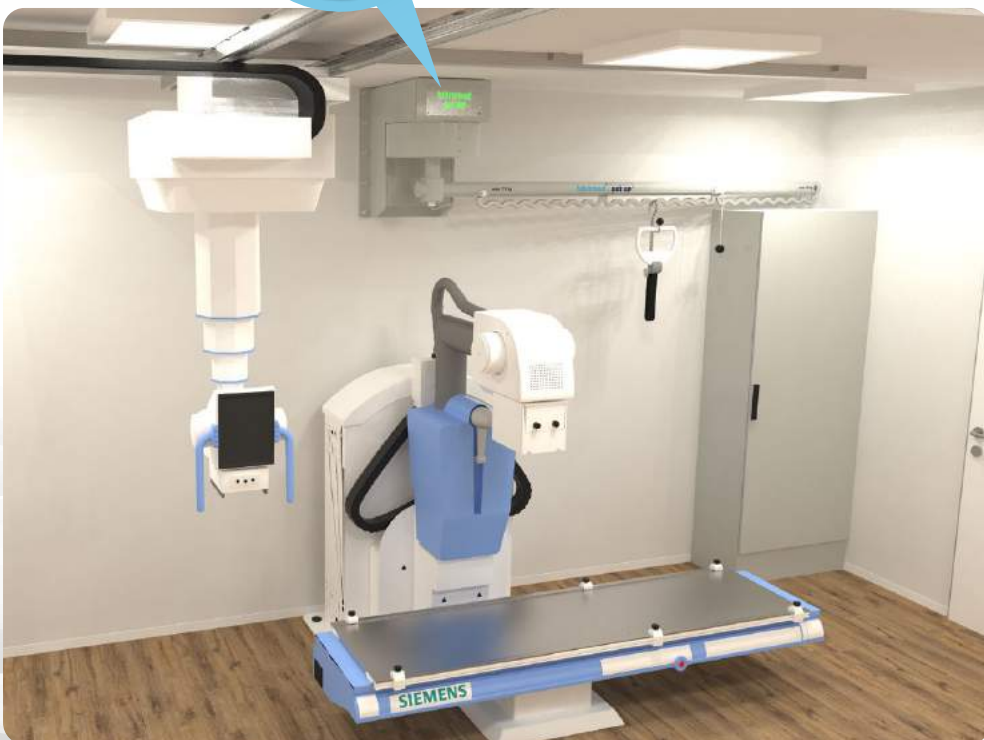
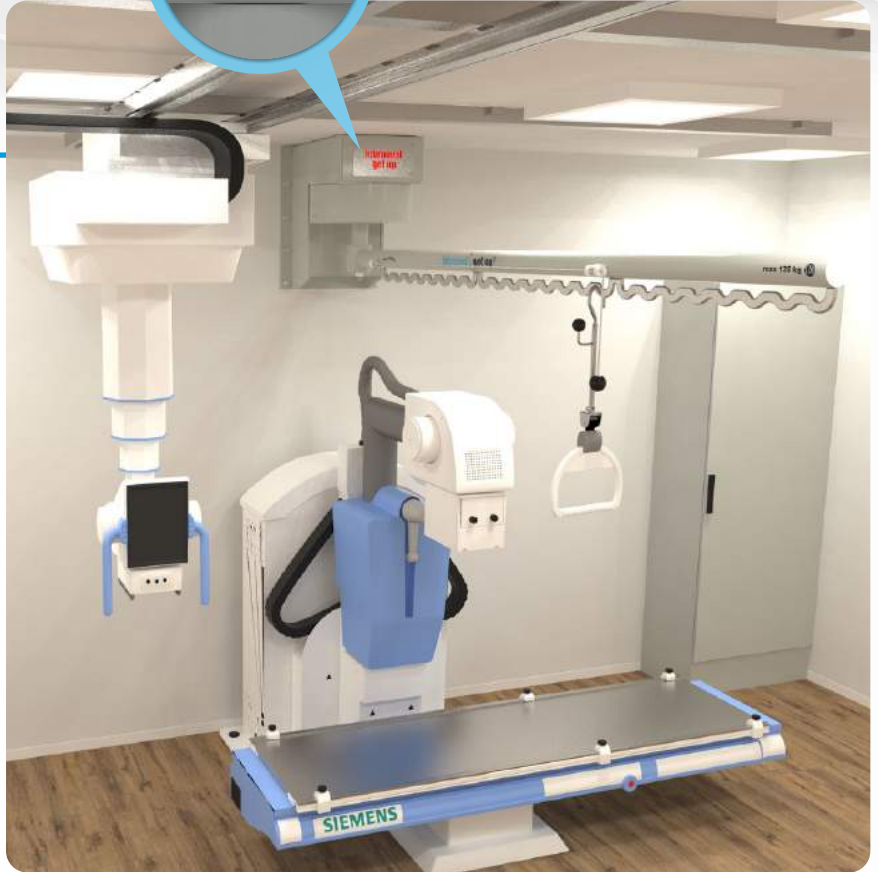
Often, X-ray devices are installed so that they can be moved to multiple positions and work stations, either manually or automatically. This is usually made possible by a rail system, installed below the ceiling. The get up® can be fitted with an optional electronic position sensor to reliably prevent collisions.

As a result, the swivelling handle system and X-ray device communicate with one another. Then, if the get up® is within the movement range of the X-ray device, the automatic operation of the X-ray device is stopped. A red indicator light clearly signals the cause. Once the swivelling arm is removed from the danger zone, automatic operation of the X-ray device can resume.



01

Red signals a potential danger; the X-ray device stops.



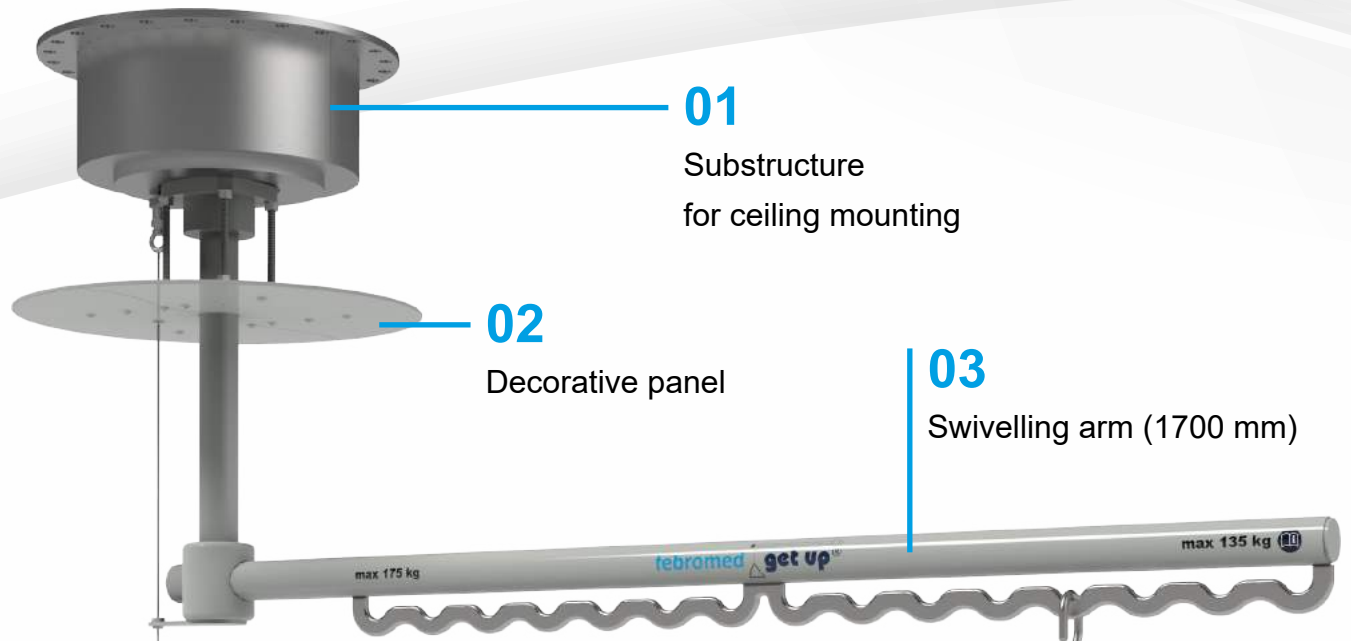
02

Green signals that there is no danger.

The electronic position sensor is also available for the ceiling version.

Radiation therapy

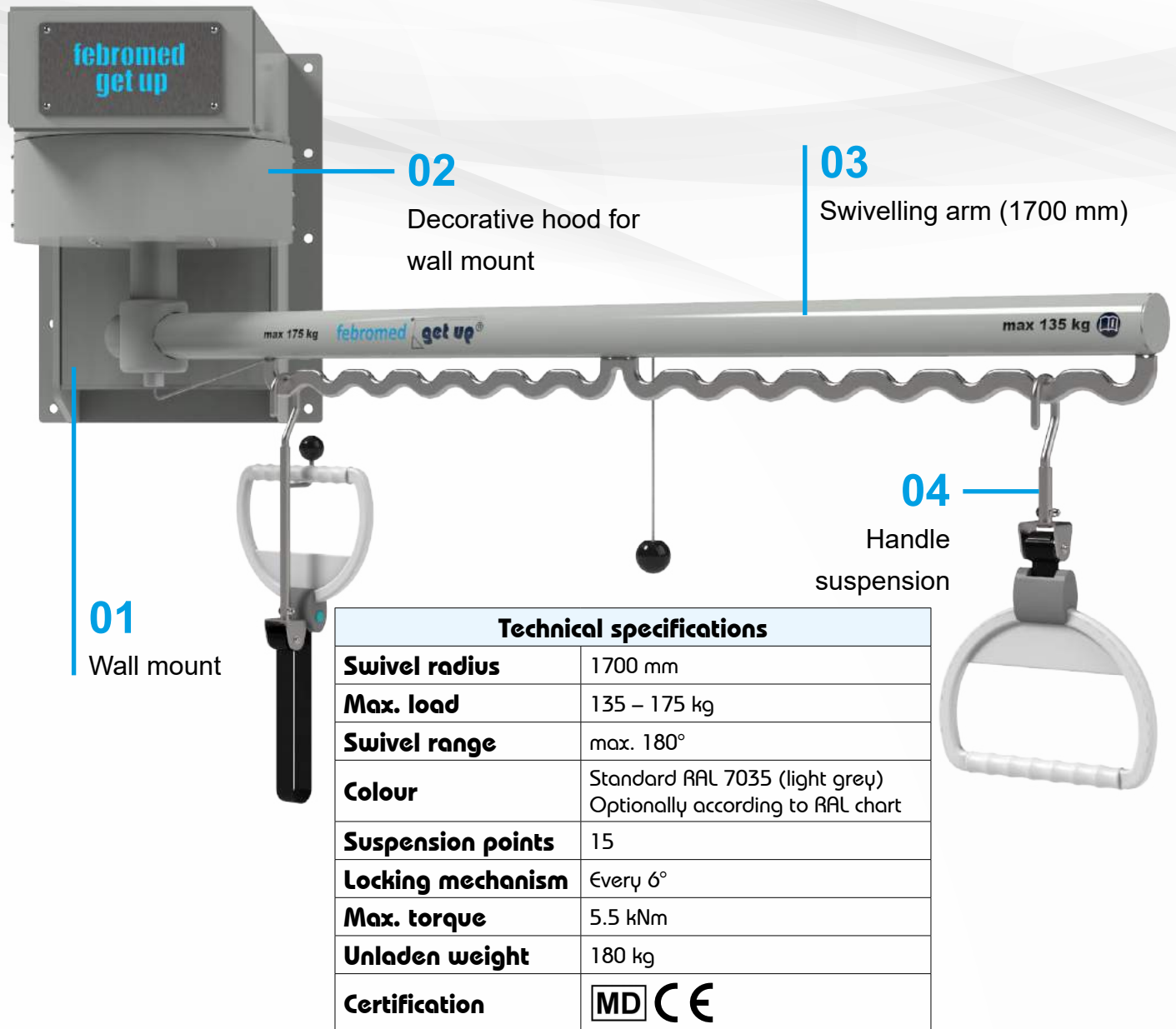
Ceiling version – get up® 1700



Technical specifications	
Swivel radius	1700 mm
Max. load	135 – 175 kg
Swivel range	max. 360°
Colour	Standard RAL 7035 (light grey) Optionally according to RAL chart
Suspension points	15
Locking mechanism	Every 15°
Max. torque	5.5 kNm
Unladen weight	105 kg
Certification	MD CE



Wall version – get up® 1700



Section view with high decorative panel

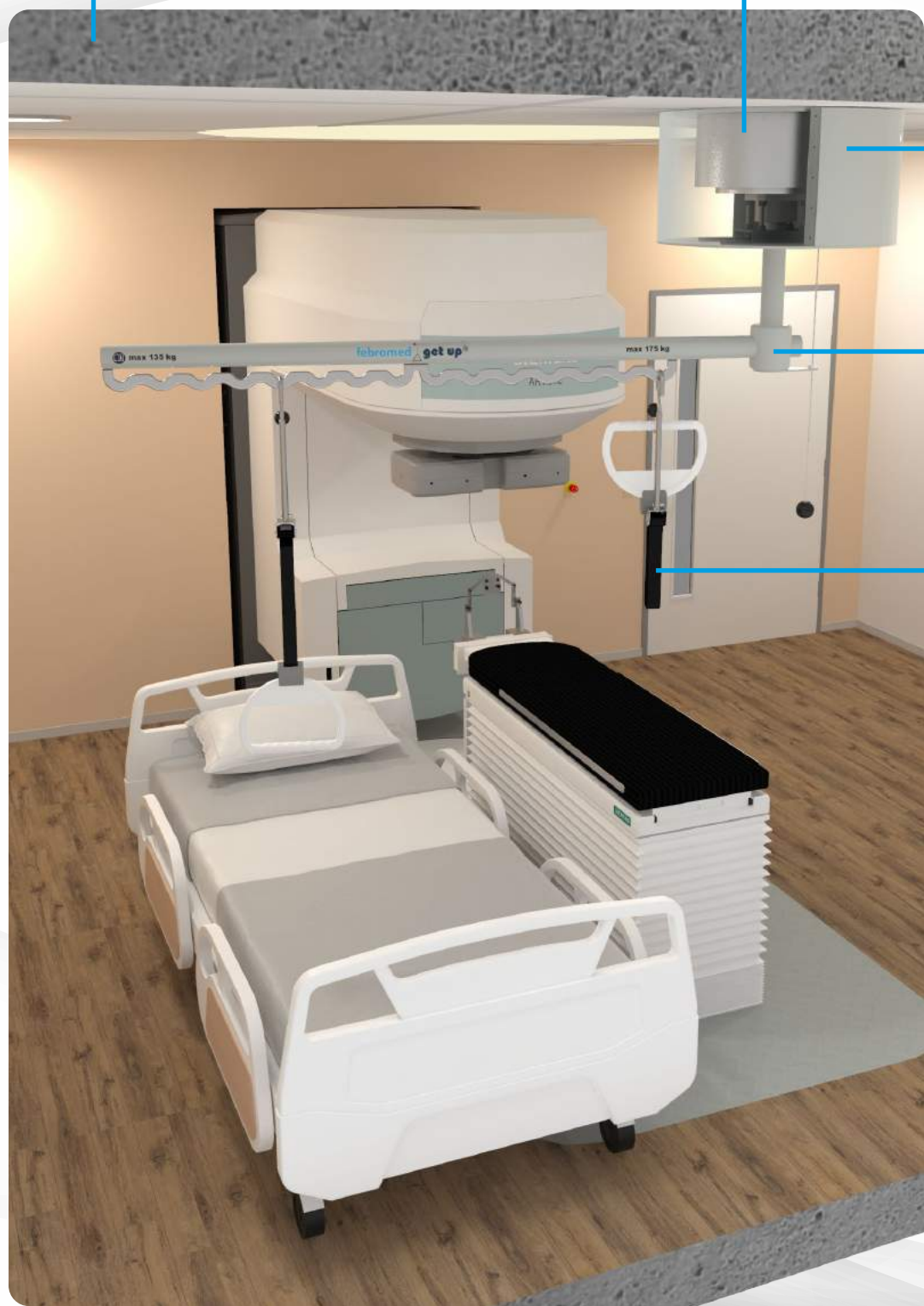
01
Bare ceiling

02
Substructure

03
High decorative hood

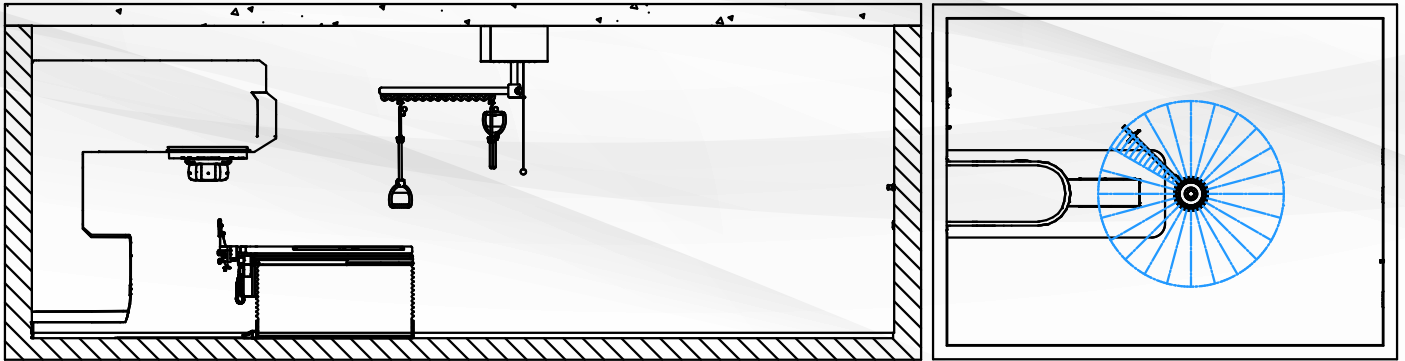
04
Swivelling arm (1700 mm)

05
Handle suspension



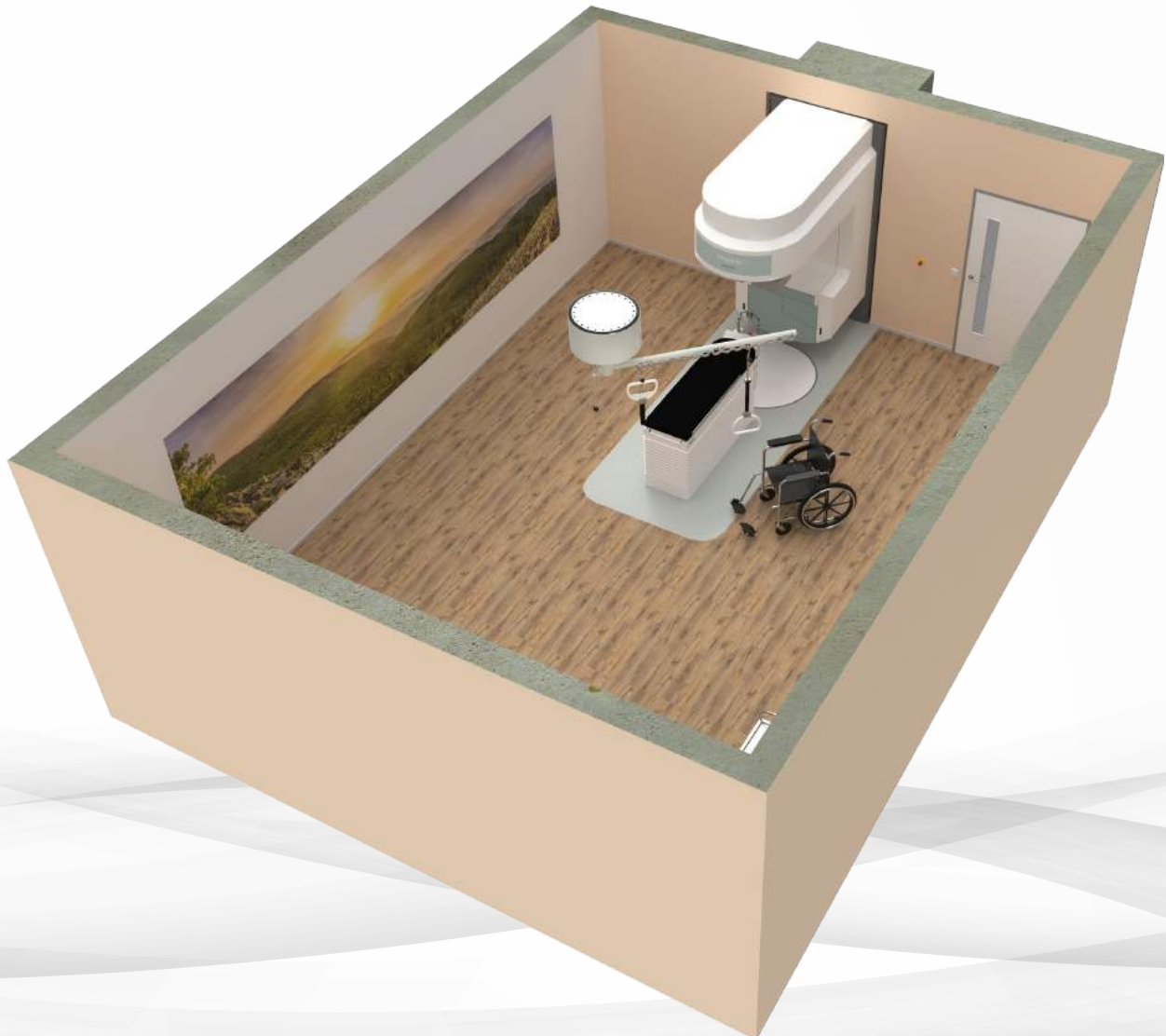
The high decorative panel is not only suitable for use in radiography, but in all radiological applications.

Isometric perspective



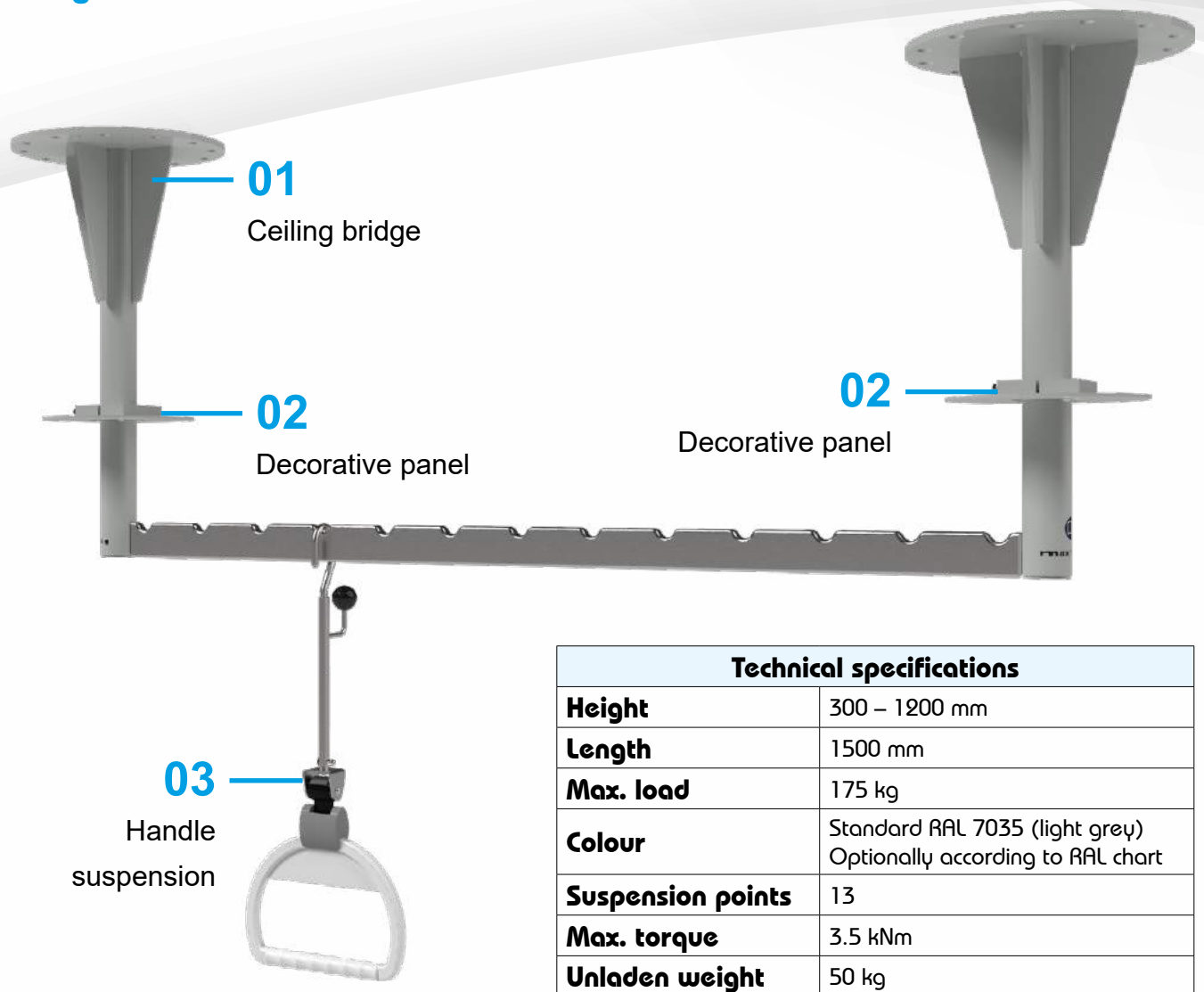
In some rooms, there is no suspended ceiling. The optional high decorative hood conceals the substructure and mount of get up®, the swivelling handle system.

This hood can be fitted with an optional swivel limit to prevent the swivelling arm from colliding with other devices. The limit is individually adjustable to utilise the full working range of the get up®.



get up[®] ceiling bridge

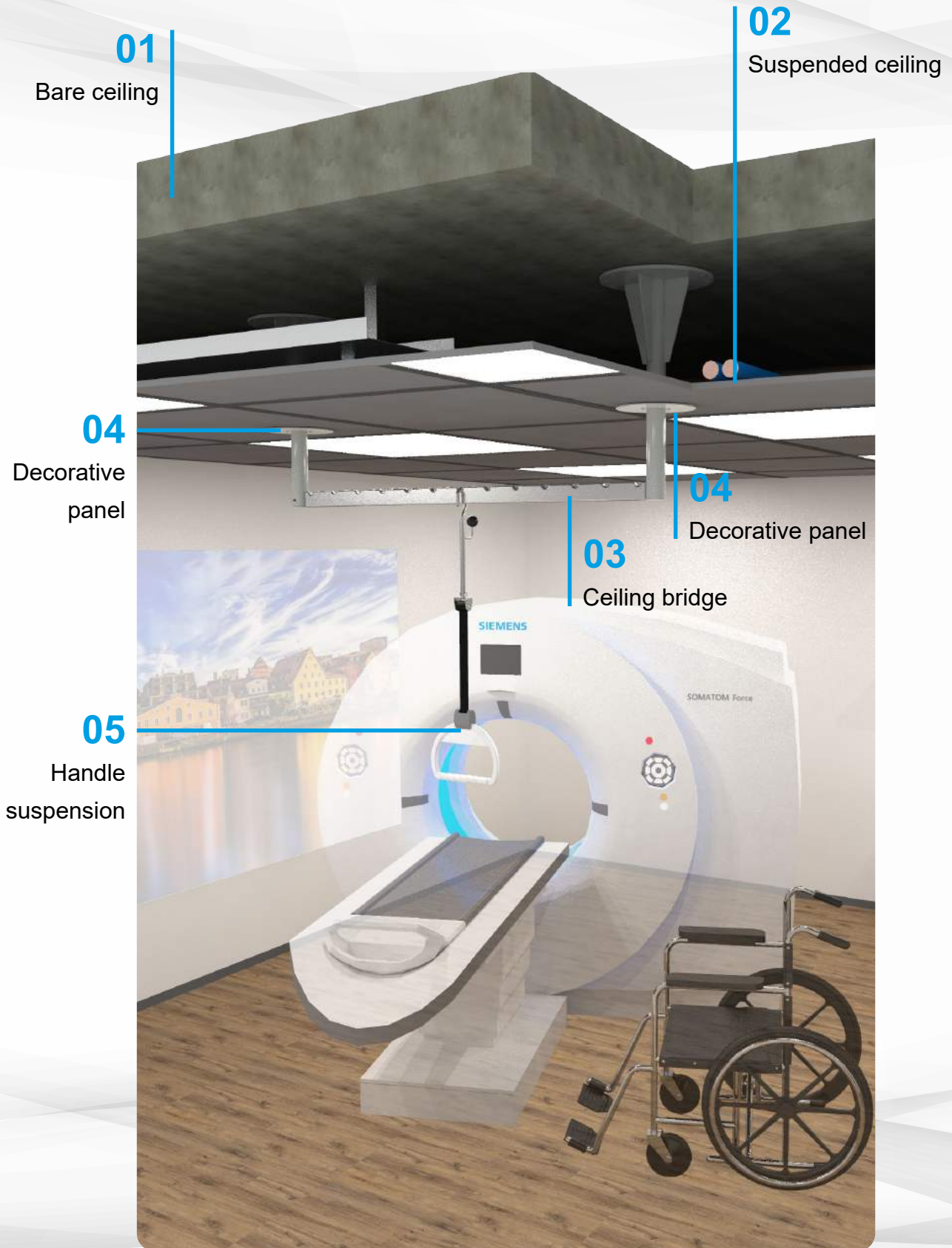
Ceiling version



Technical specifications	
Height	300 – 1200 mm
Length	1500 mm
Max. load	175 kg
Colour	Standard RAL 7035 (light grey) Optionally according to RAL chart
Suspension points	13
Max. torque	3.5 kNm
Unladen weight	50 kg
Certification	MD CE

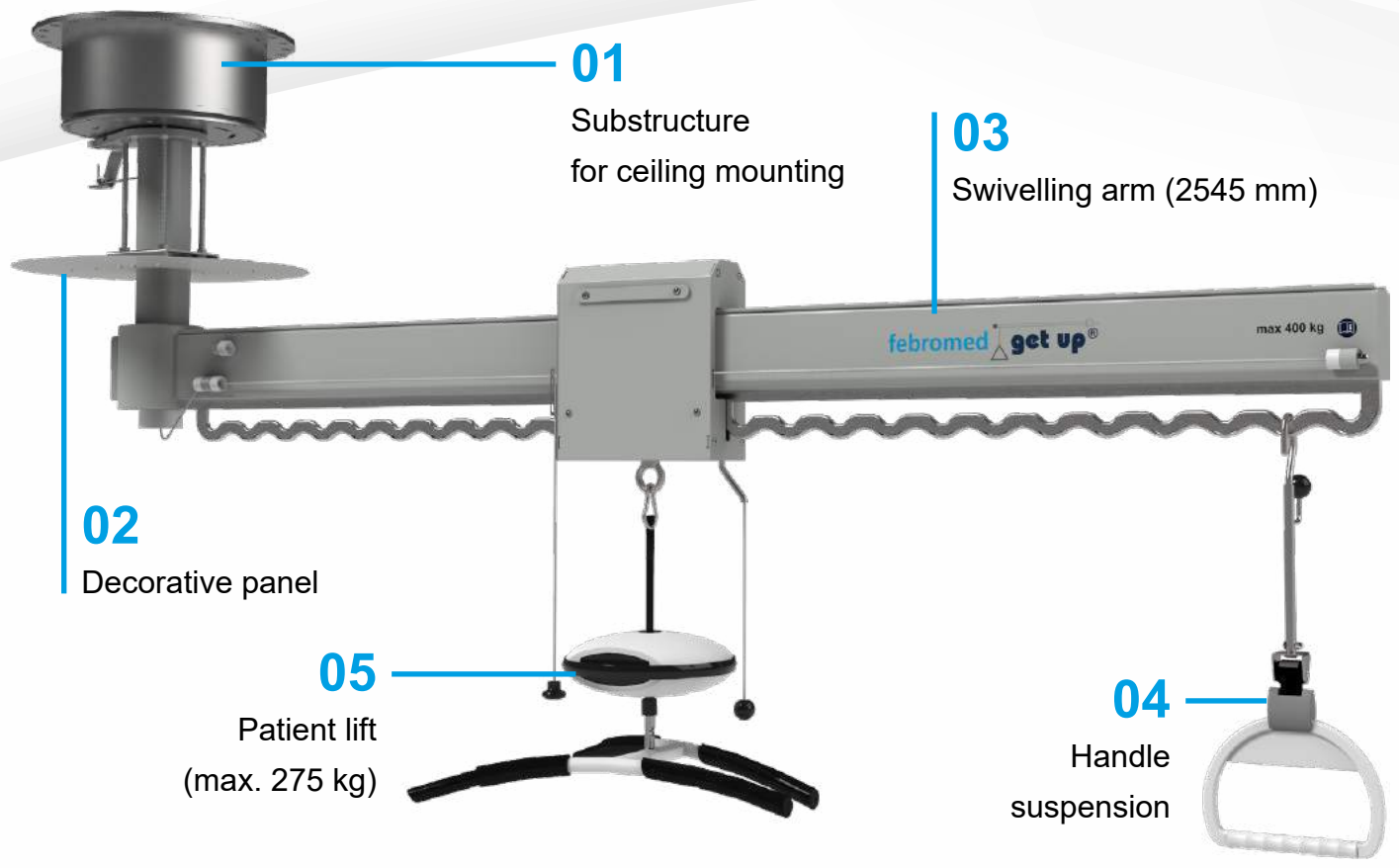


Section view of get up[®] ceiling bridge



get up[®]-Multilift

The swivelling handle system with optional patient lift to transfer immobile patients



01
Substructure
for ceiling mounting

03
Swivelling arm (2545 mm)

02
Decorative panel

05
Patient lift
(max. 275 kg)

04
Handle
suspension

Technical specifications	
Swivel radius	2545 mm
Max. load	400 kg
Swivel range	max. 360°
Colour	Standard RAL 7035 (light grey) Optionally according to RAL chart
Suspension points	24
Locking mechanism	Every 6°
Max. torque	20.0 kNm
Unladen weight	195 kg
Certification	MD CE



06
get up[®]-Multilift
Installation variant for diagnostic radiography

The get up[®]-Multilift combines our tried-and-tested swivelling handle system with the additional option to lift immobile patients onto the examination table from a bed or wheelchair, using a patient lift.



07

get up[®]-Multilift

Installation variant for CT examination rooms



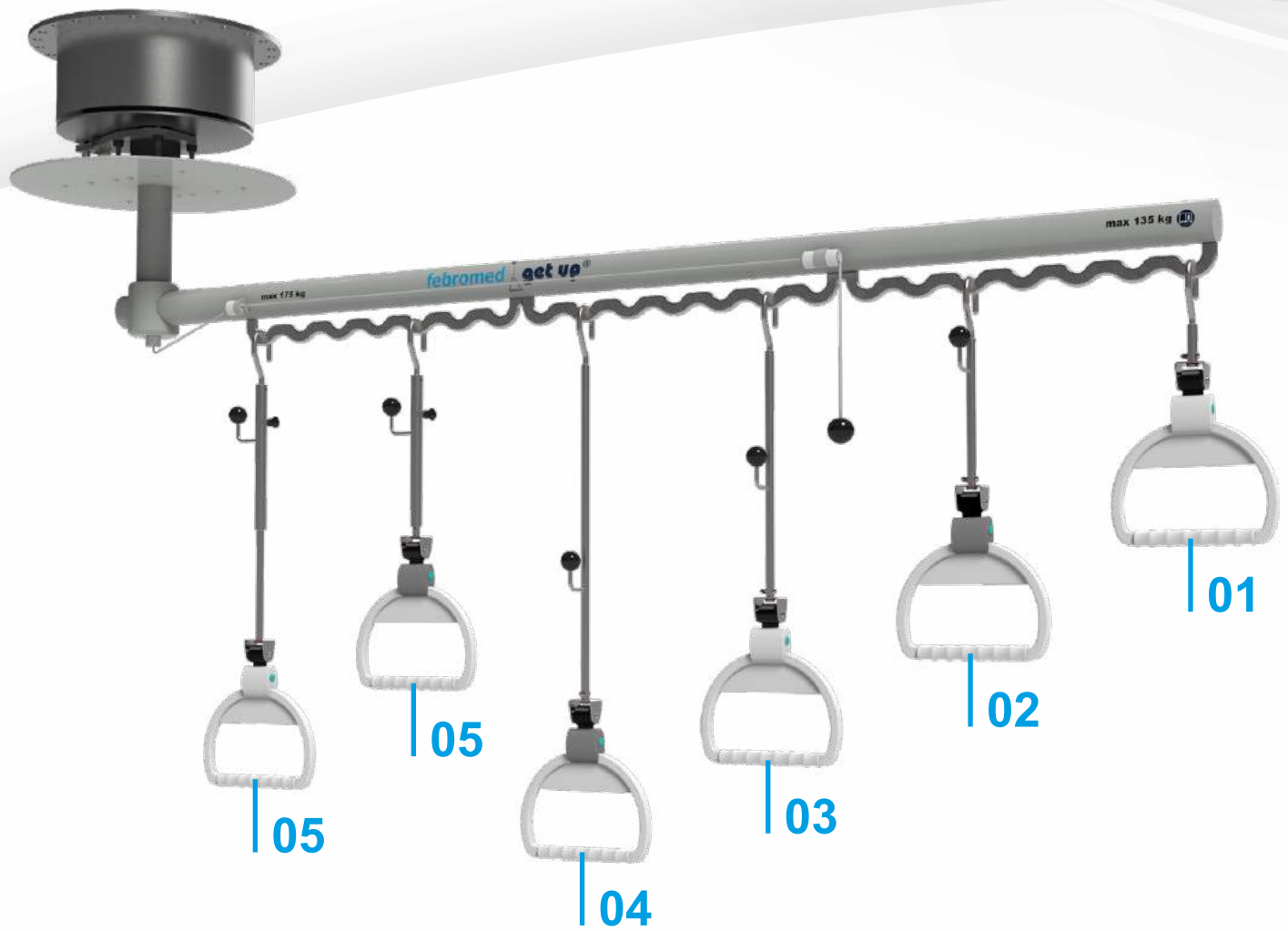
08

get up[®]-Multilift

Installation variant for radiation therapy

With a maximum load capacity of up to 400 kg on the swivelling arm, and a maximum patient weight of 275 kg, our system offers more than adequate lift assurance.

Handle suspension

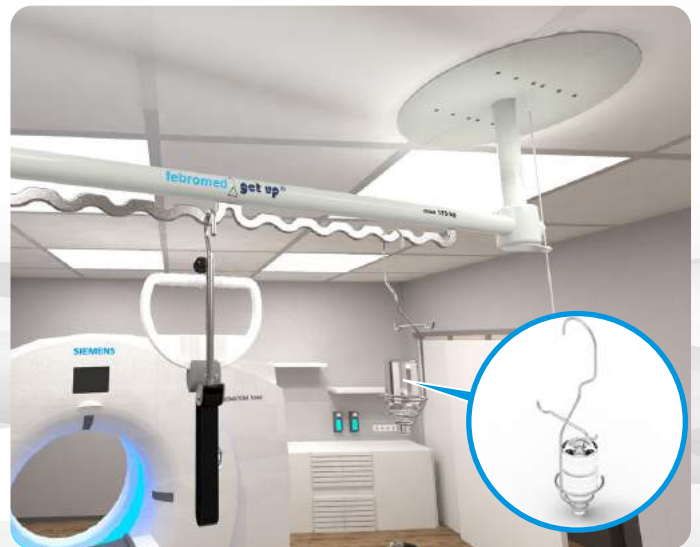
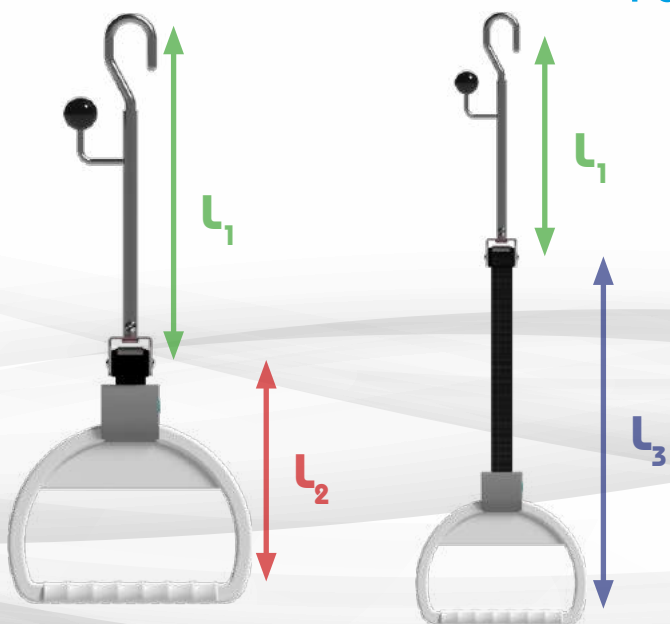
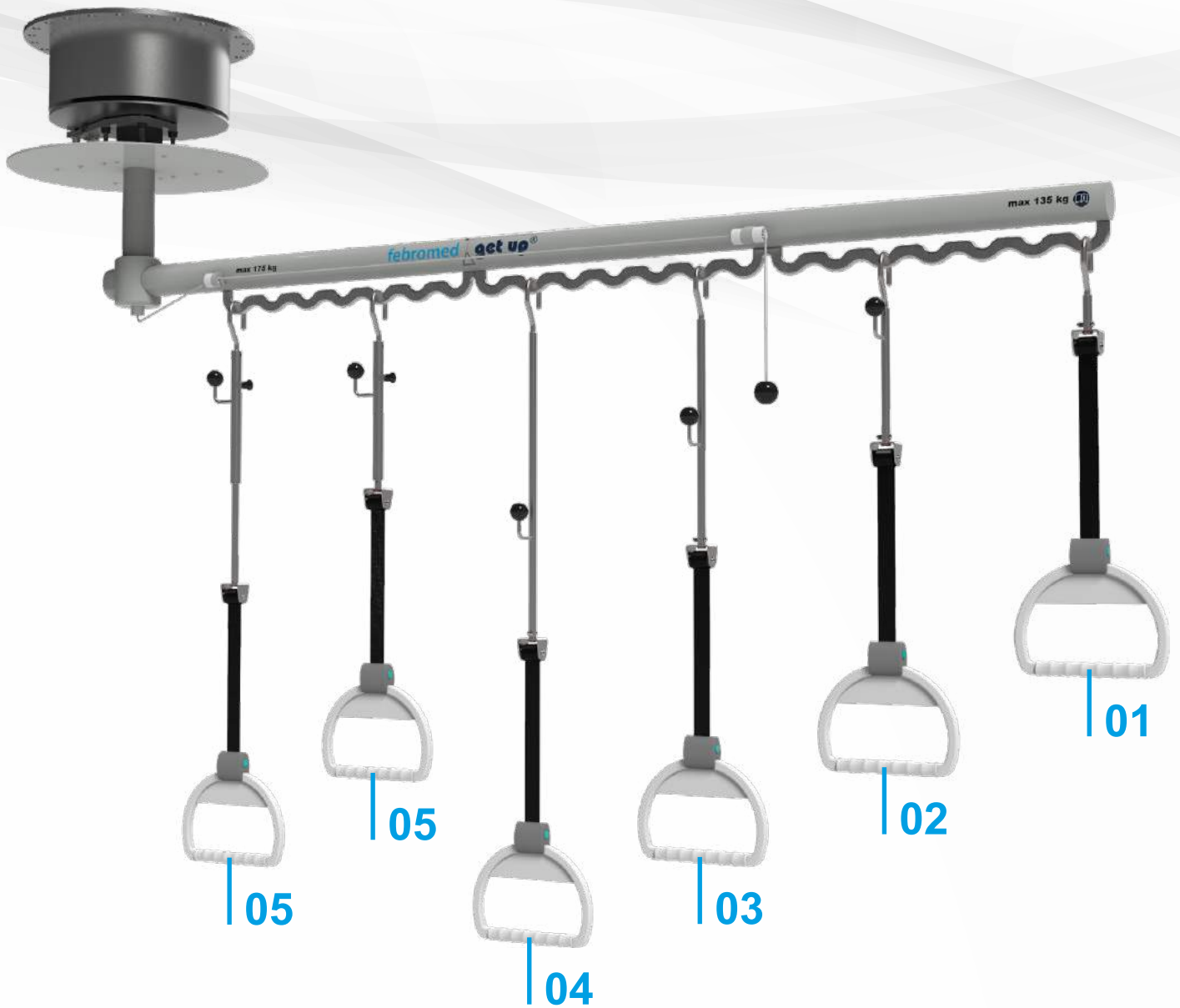


Pos.	Article no.	L ₁ / mm	L ₂ / mm	L ₃ / mm	360° rotation	Sideways mounting of the handle
01	get up 001	200 mm	255 mm	515 mm	✓	-
02	get up 002	400 mm	255 mm	515 mm	✓	✓
03	get up 003	600 mm	255 mm	515 mm	✓	✓
04	get up 004	800 mm	255 mm	515 mm	✓	✓
05	get up 005	475 / 685 mm	255 mm	515 mm	✓	✓






The handle suspension in pos. 5 has an adjustable telescopic rod for rooms with extra high ceilings (adjustment range 210 mm).

The handle is continuously adjustable (adjustment range 260 mm).



Available variants

	1700 Variants		
	1700 Ceiling	1700 Wall	MRT-1700 Ceiling
			
Area of application			
Computer tomography	✓	✓	-
Magnetic resonance tomography	-	-	✓
Diagnostic radiography	✓	✓	-
Radiation therapy	✓	✓	-
Technical specifications			
Swivel radius	1700 mm	1700 mm	1700 mm
Max. load	135 – 175 kg	135 – 175 kg	135 – 175 kg
Working range	max. 360°	max. 180°	max. 360°
Suspension points	15	15	15
Locking mechanism	15°	6°	6°
Max. rotating surface area	9.08 m ²	4.54 m ²	9.08 m ²
Max. torque	5.5 kNm	5.5 kNm	5.5 kNm
Unladen weight	105 kg	180 kg	105 kg
MR certificate	-	-	✓
Optional accessories			
Electronic position sensor	✓	✓	-
Swivel limit	✓	✓	✓
Optional hood	✓	✓	✓
Handle suspension			
get up 001 (200 mm)	✓	✓	✓
get up 002 (400 mm)	✓	✓	✓
get up 003 (600 mm)	✓	✓	✓
get up 004 (800 mm)	✓	✓	✓
get up 005 (475 mm)	✓	✓	✓

Special sizes are possible in consultation with febromed!

2600 Variants				Ceiling bridge
2600 Ceiling	2600 Wall	MRT-2600 Ceiling	MRT-2600 Stand	DB get up® Ceiling
				
Area of application				
✓	✓	-	-	✓
-	-	✓	✓	-
✓	✓	-	-	-
✓	✓	-	-	✓
Technical specifications				
2600 mm	2600 mm	2600 mm	2600 mm	-
135 – 175 kg	135 – 175 kg	135 – 175 kg	135 – 175 kg	175 kg
max. 360°	max. 180°	max. 360°	max. 360°	-
24	24	24	16	13
6°	6°	6°	6°	-
21.24 m²	10.62 m²	21.24 m²	21.24 m²	-
7.0 kNm	7.0 kNm	7.0 kNm	7.0 kNm	3.5 kNm
120 kg	200 kg	120 kg	180 kg	50 kg
-	-	✓	✓	-
Optional accessories				
✓	✓	-	-	-
✓	✓	✓	✓	-
✓	✓	✓	✓	✓
Handle suspension				
✓	✓	✓	✓	✓
✓	✓	✓	✓	✓
✓	✓	✓	✓	✓
✓	✓	✓	✓	✓
✓	✓	✓	✓	✓

Example applications

Photographs from the Essen University Hospital
Institute of Diagnostic and Interventional
Radiology and Neuroradiology























F-103-EN Rev.00 17.06.2021

The products, systems and technical specifications featured in this catalogue are examples of customer-specific technical solutions. We reserve the right to make changes at any time. The ® symbol denotes a registered trademark of febromed GmbH & Co. KG in Germany. Several of these brands are registered trademarks in other countries as well.

Febromed GmbH & Co. KG

Am Landhagen 52
59302 Oelde, Germany
Telephone +49(0)2522 92019-00
Telefax +49(0)2522 92019-19
Internet: www.febromed.de
Email: vertrieb@febromed.de

